



FRONT RUNNER

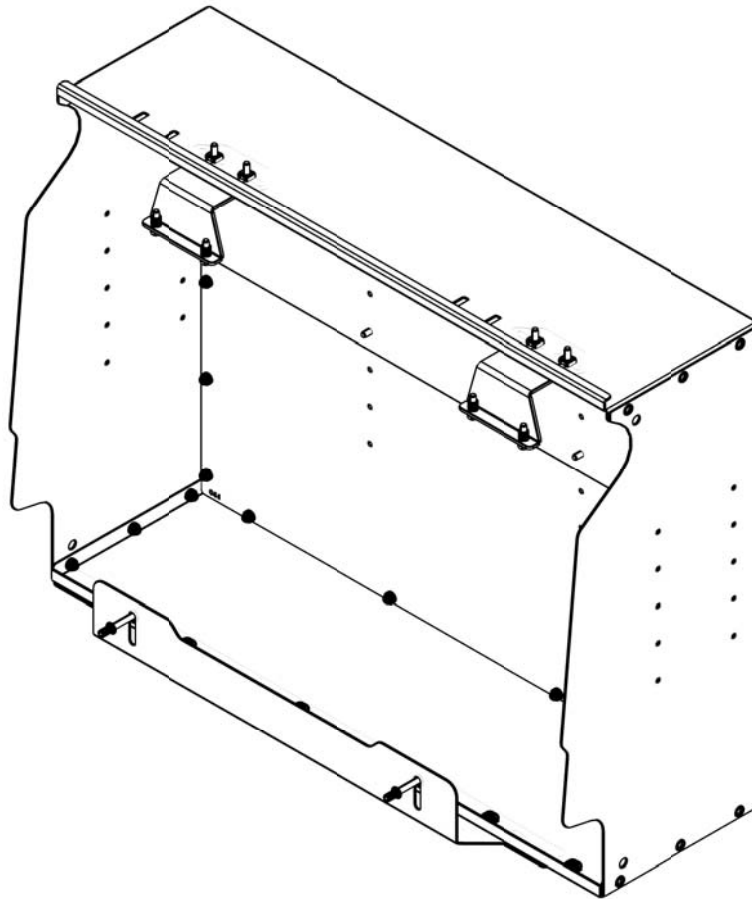
**LAND ROVER DEFENDER PUMA
GULLWING WINDOW BOX**

ENG

GWLD011



INSTALL TIME: 2 Hours



You will need to have installed a Gullwing Door before installing the Window Box.

IMPORTANT WARNING!

IT IS CRITICAL THAT ALL FRONT RUNNER PRODUCTS BE PROPERLY AND SECURELY ASSEMBLED AND ATTACHED TO YOUR VEHICLE. IMPROPER ATTACHMENT COULD RESULT IN AN AUTOMOBILE ACCIDENT, AND COULD CAUSE SERIOUS BODILY INJURY OR DEATH TO YOU OR TO OTHERS. YOU ARE RESPONSIBLE FOR ASSEMBLING AND SECURING ALL FRONT RUNNER PRODUCTS TO YOUR VEHICLE, CHECKING THE ATTACHMENTS PRIOR TO USE, AND PERIODICALLY INSPECTING THE PRODUCTS FOR ADJUSTMENT, WEAR, AND DAMAGE. THEREFORE, YOU MUST READ AND UNDERSTAND ALL OF THE INSTRUCTIONS AND CAUTIONS SUPPLIED WITH YOUR FRONT RUNNER PRODUCT PRIOR TO INSTALLATION OR USE. IF YOU DO NOT UNDERSTAND ALL OF THE INSTRUCTIONS AND CAUTIONS, OR IF YOU HAVE NO MECHANICAL EXPERIENCE AND ARE NOT THOROUGHLY FAMILIAR WITH THE INSTALLATION PROCEDURES, YOU SHOULD HAVE THE PRODUCT INSTALLED BY A PROFESSIONAL INSTALLER OR OTHER QUALIFIED PERSONNEL.

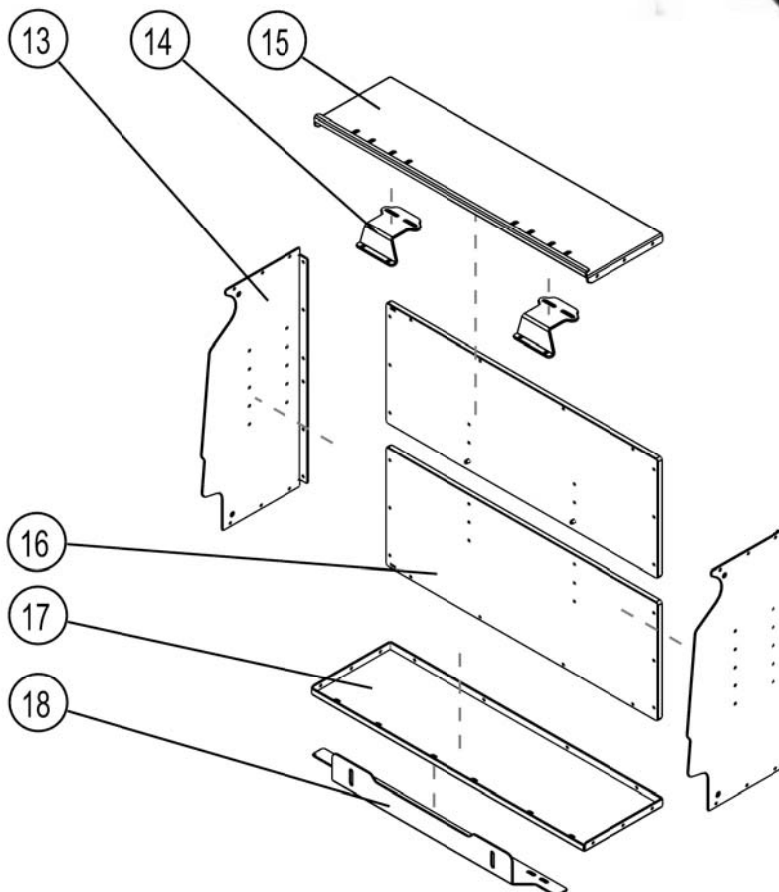
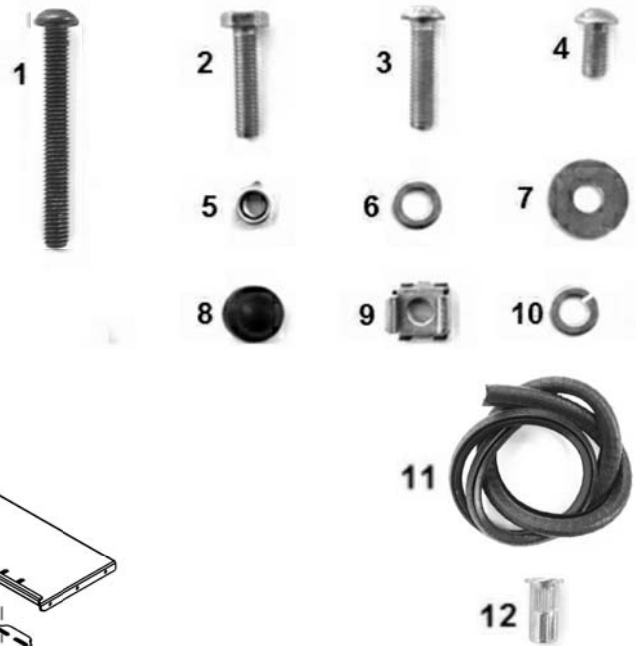
1 GET ORGANIZED...

Here is what you are looking at:

Item #	Quantity	Description
1	2	M6 x 50 BUTTON HEAD BOLT
2	8	M6 x 25 HEX BOLT
3	20	M6 x 20 BUTTON HEAD BOLT
4	15	M6 X 12 BUTTON HEAD BOLT
5	35	M6 NYLOC NUT
6	64	M6 FLAT WASHER
7	16	M6 x 19 FLAT WASHER
8	39	M6 NUT CAP
9	4	M6 CAGE NUT
10	8	M6 SPRING WASHER
11	2	PINCH WELD
12	2	M6 RIVNUT
13	2	SIDE PANEL - 1 LEFT, 1 RIGHT
14	2	TOP MOUNTING BRACKET
15	1	TOP PANEL
16	2	WOOD BACK PANEL
17	1	BOTTOM PANEL
18	1	BOTTOM SUPPORT BRACKET

You will need:

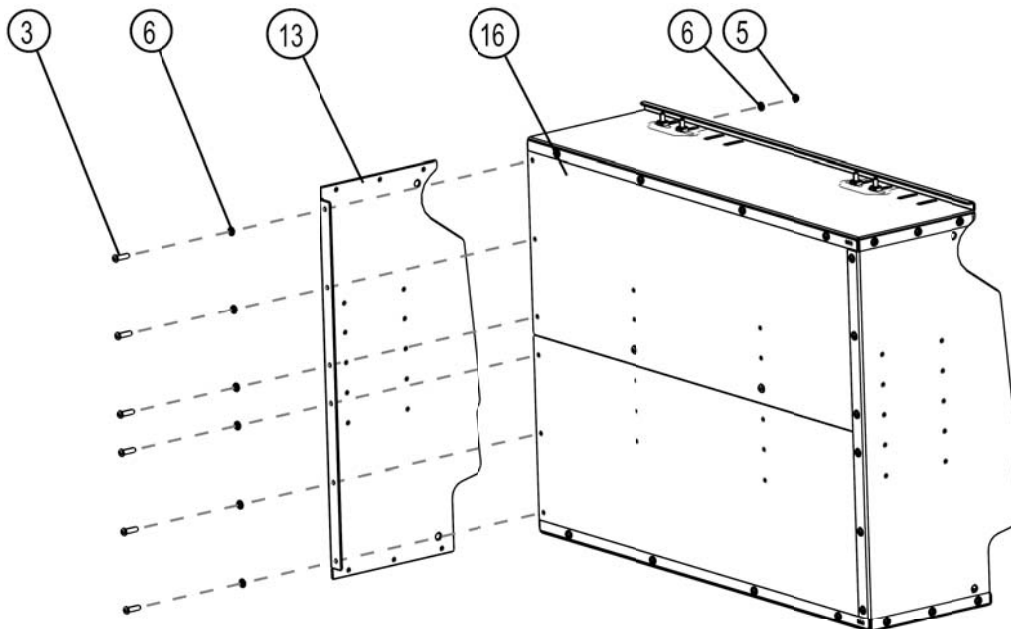
- Drill Machine
- 7 & 9 mm Drill Bit
- 10 mm Flat or Socket Wrench
- 4 mm Hex Key
- 17 mm Flat or Socket Wrench
- Rivnut Tool
- Suitable Work Surface for Assembling your Gullwing Window Box



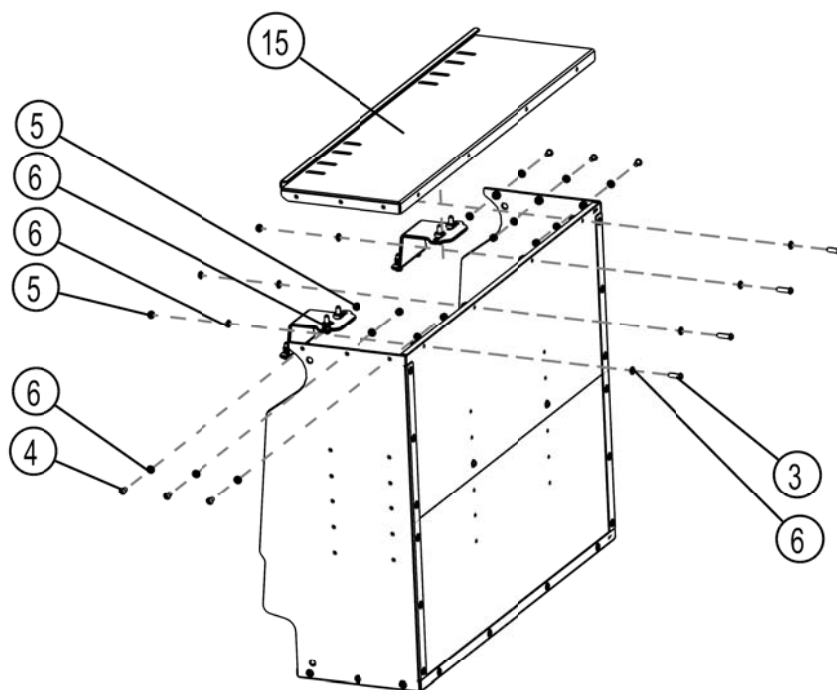
(A) Familiarize yourself with the parts and then step away from the work area and read through these instructions from beginning to end. Take a moment as little prep now may save you a lot of time later.

2 ASSEMBLE GULLWING WINDOW BOX

- (A) Assemble the Side Panels and Wooden Back Panels (Items 13 & 16) together as illustrated below using twelve M6 x 20 Button Head Bolts, twenty four M6 Flat Washers and twenty four M6 Nyloc Nuts (Items 3, 5 & 6)

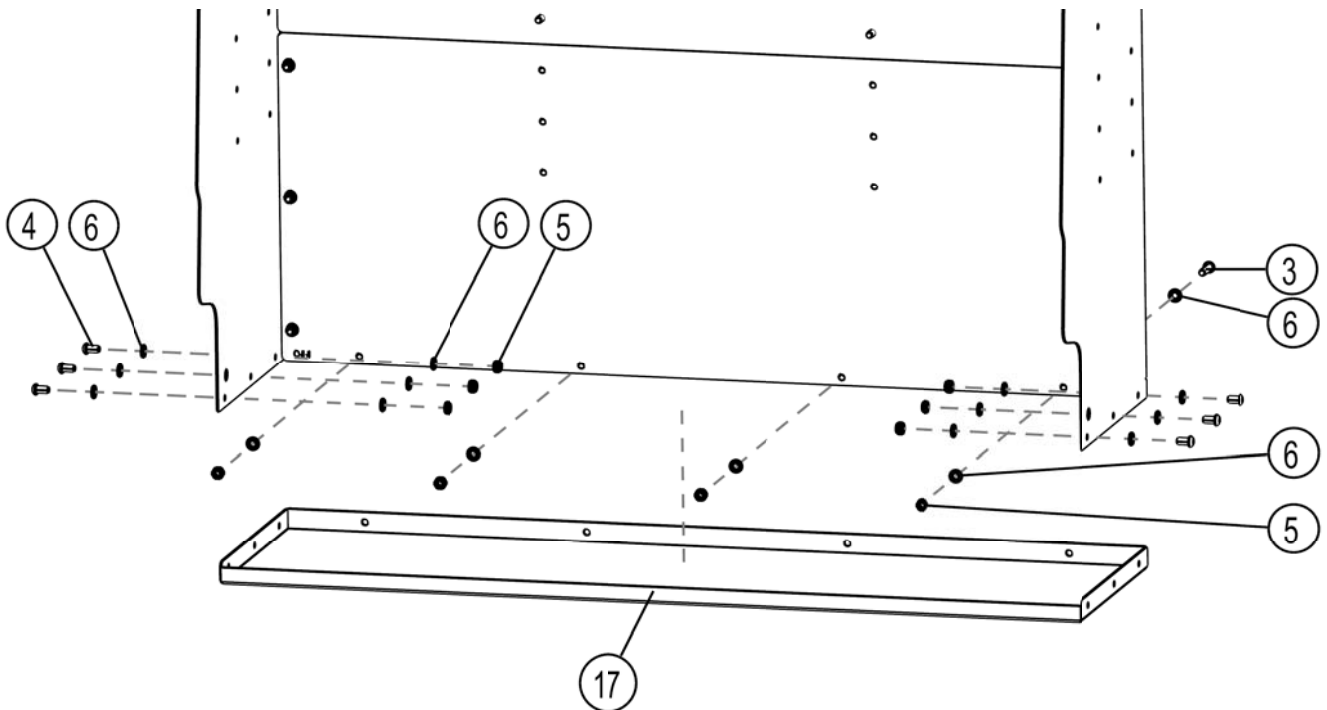


- (B) Assemble the Top Panel (Item 15) to the Side and Wooden Back Panel Assembly as shown using four M6 x 20 Button Head Bolts, six M6 x 12 Button Head Bolts, twenty M6 Flat Washers and ten M6 Nyloc Nuts (Items 3, 4, 5, 6).



2 ASSEMBLE GULLWING WINDOW BOX CONT...

- (C) Assemble the Bottom Panel (Item 17) as shown below using four M6 x 20 Button Head Bolts, six M6 x 12 Button Head Bolts, twenty M6 Flat Washers and ten M6 Nyloc Nuts (Items 3, 4, 5, 6).



- (D) Starting from the top, fit the Pinch Weld (Item 11) over each edge of the Side Panels by pushing one end of the Pinch Weld over the edge and then "rolling" and pushing it down the length of the Side Panel as shown. Trim off any excess Pinch Weld.



3 FIT THE TOP MOUNTING BRACKETS

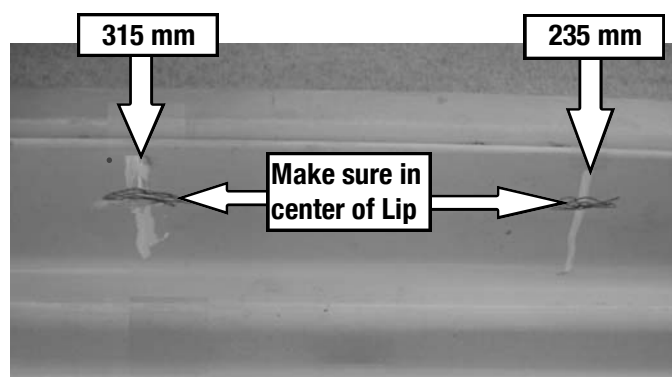
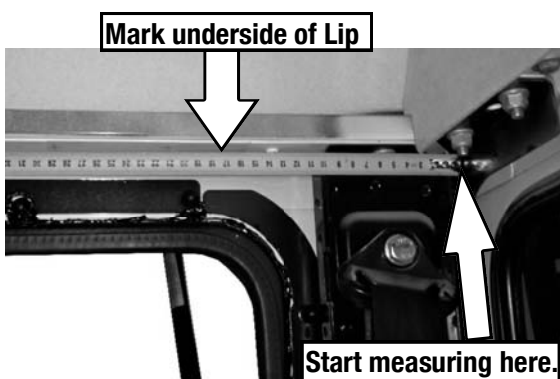
- (A) Decide on which side of the vehicle you would like to mount your Window Box. Working on the chosen side, loosen the rear passenger seat belt bolt as indicated by the arrow. Remove the side and rear interior panels that surround the window.



- (B) Looking below the vehicle's window locate the two holes as indicated. Using a drill machine and 9 mm drill bit, drill both holes to 9 mm. Insert and crimp a M6 Rivnut (Item 12) into each hole.



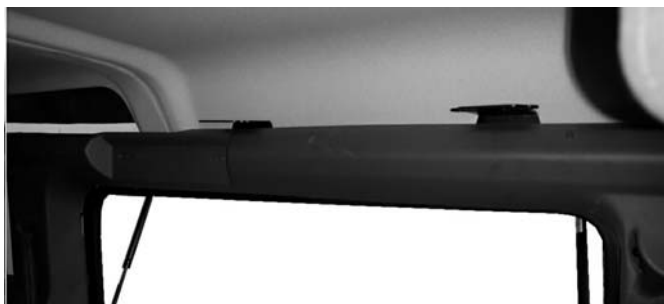
- (C) Starting at the rear corner of the vehicle, up against the seatbelt support brackets as shown, measure and mark the underside of the lip as shown on the following four distances 235 mm, 315 mm, 735 mm and 815 mm. Ensure that your markings are in the center of the lip.



3 FIT THE TOP MOUNTING BRACKETS

- (D) Place the two Top Mounting Brackets (Item 14) on the inside of the Lip as shown. Line the mounting points in the bottom of the Brackets up with the holes drilled in Step 3B and secure the Brackets to the vehicle using four M6 x 25 Hex Bolts, four M6 Spring Washers and four M6 x 19 Flat Washers (Items 4, 7, 10) supplied.

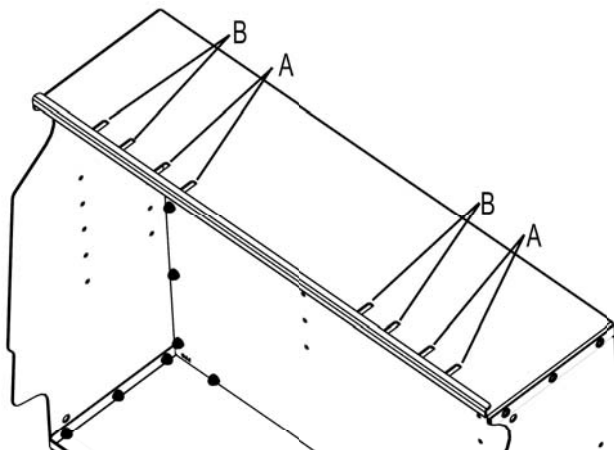
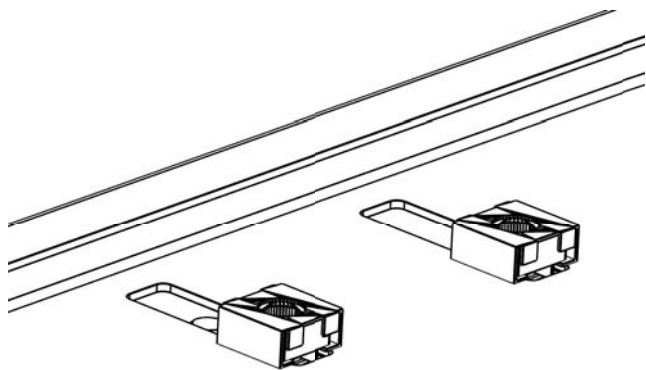
Refit the interior panels. Leave out / do not refit the two panel clips below the window which correspond to the Rivnuts inserted in Step 3B.



- (E) Loosely secure the Bottom Support Bracket (Item 18) to the vehicle as shown, using the two M6 x 50 Button Head Bolts, two M6 Spring Washers and two M6 x 19 Flat Washers (Items 1, 7, 10). You will be securing through the original holes in the vehicle's body panel and into the Rivnuts inserted in Step 3B.



- (F) Insert a M6 Cage Nut (Item 9) into the top of each of the four slots for pairing "A" or pairing "B" as indicated. Slot pairing "A" is used if you are mounting your Window Box on the left hand side of the vehicle and slot pairing "B" is used if you are mounting your Window Box on the right hand side of the vehicle.



4 FIT THE GULLWING WINDOW BOX

- (A) With the help of a friend on the inside of the vehicle, lift the Window Box up and onto the Mounting Brackets fitted in Step 3D. Working from the outside of the vehicle, line the slots in the Window Box up with the slots in the Mounting Brackets and loosely secure the Window Box to the Mounting Brackets using four M6 x 25 Hex Bolts, four M6 Spring Washers and four M6 x 19 Flat Washers (Items 2, 7, 10) supplied. You may need your friend on the inside of the vehicle to adjust the position of the cage nuts fitted in Step 3F in order to fasten the box to the Brackets.



Front Left Hand Side of vehicle shown



Rear Left Hand Side of vehicle shown

- (B) Line the slots in the bottom of the Window Box up with the slots in the Bottom Support Bracket fitted in Step 3E. Only Three of the slots will line up. Secure the bottom of the Window Box to the Support Bracket using the remaining M6 x 12 Button Head Bolts, M6 x 19 Flat Washers and M6 Nyloc Nuts (Items 4, 5, 7).

- (C) Fasten the four bolts securing the top of the Window Box to the Top Mounting Brackets (Step 4A) and the two bolts securing the Bottom Mounting Bracket to the vehicle (Step 3E)

Congratulations, you have completed your installation. Take a step back and admire your work. Good Job!

