

## READ ME !

Thank you for purchasing a Front Runner Toyota Land Cruiser 70 Gullwing Window.  
Before you start, take a moment to familiarize yourself with the Fitting Instructions and the components received.  
Refer to Page 2 for a list of all the components, quantities and tools required.

## IMPORTANT WARNING!

IT IS CRITICAL THAT ALL FRONT RUNNER PRODUCTS BE PROPERLY AND SECURELY ASSEMBLED AND ATTACHED TO YOUR VEHICLE. IMPROPER ATTACHMENT COULD RESULT IN AN AUTOMOBILE ACCIDENT, AND COULD CAUSE SERIOUS BODILY INJURY OR DEATH. YOU ARE RESPONSIBLE FOR ASSEMBLING AND SECURING ALL FRONT RUNNER PRODUCTS TO YOUR VEHICLE, CHECKING THE ATTACHMENTS PRIOR TO USE, AND PERIODICALLY INSPECTING THE PRODUCTS FOR ADJUSTMENT, WEAR AND DAMAGE. THEREFORE, YOU MUST READ AND UNDERSTAND ALL OF THE INSTRUCTIONS AND PRECAUTIONS SUPPLIED WITH YOUR FRONT RUNNER PRODUCT PRIOR TO INSTALLATION OR USE. IF YOU DO NOT UNDERSTAND ALL OF THE INSTRUCTIONS AND CAUTIONS, OR IF YOU HAVE NO MECHANICAL EXPERIENCE AND ARE NOT THOROUGHLY FAMILIAR WITH THE INSTALLATION PROCEDURES, YOU SHOULD HAVE THE PRODUCT INSTALLED BY A PROFESSIONAL INSTALLER OR OTHER QUALIFIED PERSONNEL.

**NOTE:** Front Runner will not be responsible for any damage caused by the failure to install the product according to these instructions.  
Please call us if you have any questions about the installation of this product.

# 1

## GET ORGANIZED

### IN THE BOX

1	1 X	Gullwing Frame
2	2 X	Stud Plate
3	8 X	Foam Pad
4	8 X	Plastic Bush
5	1 X	Glass or Aluminium Window
6	2 X	Gas Strut Mount - LHS / RHS
7	10 X	M6 Flat Washer
8	8 X	M6 Nyloc Nut
9	8 X	M6 Nut Cap
10	2 X	Hinge Plate
11	2 X	Gas Strut
12	2 X	M6 x 20 Button Head
13	2 X	Lock Mounting Bracket
14	6 X	M6 Rivnut
15	2 X	Lock
16	6 X	M6 x 25 Button Head

### TOOLS NEEDED

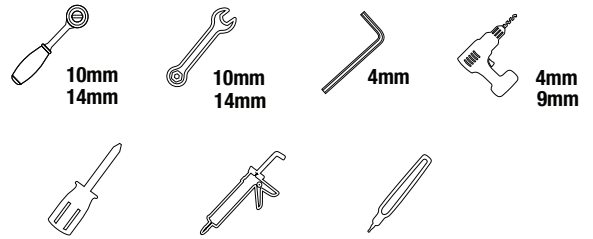
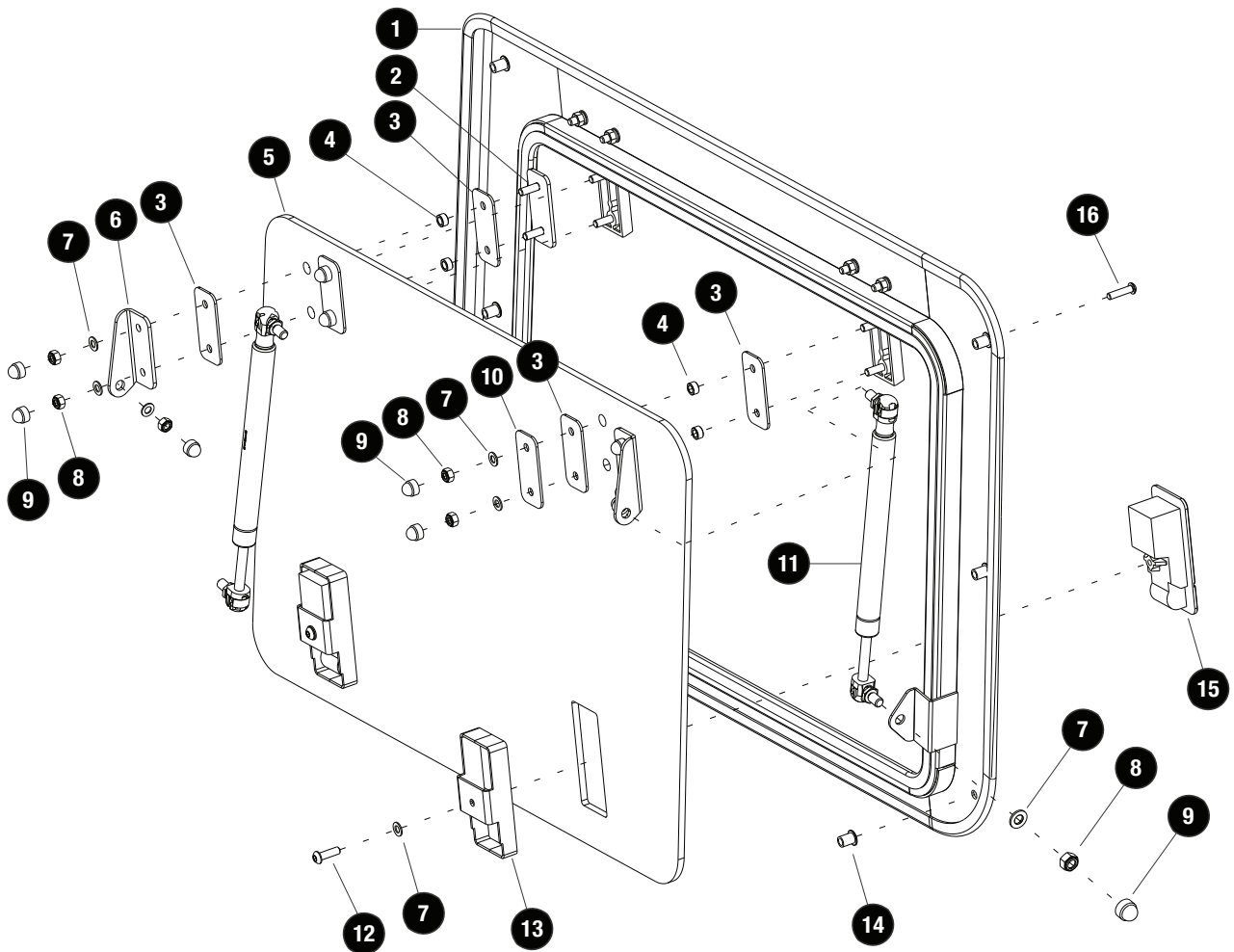


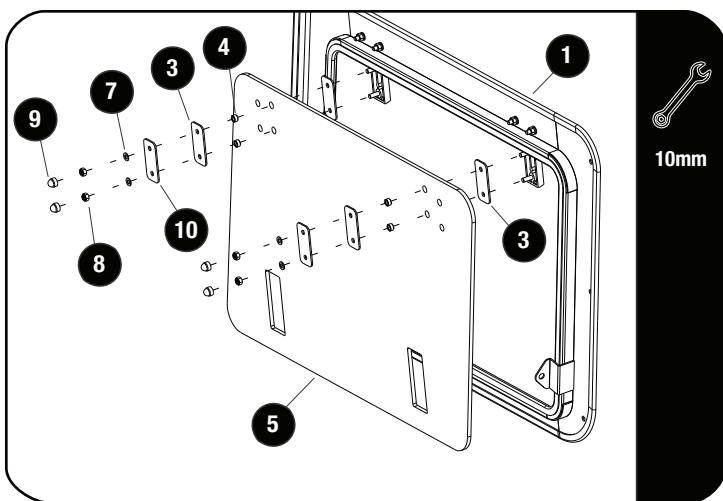
FIGURE 1.1



2

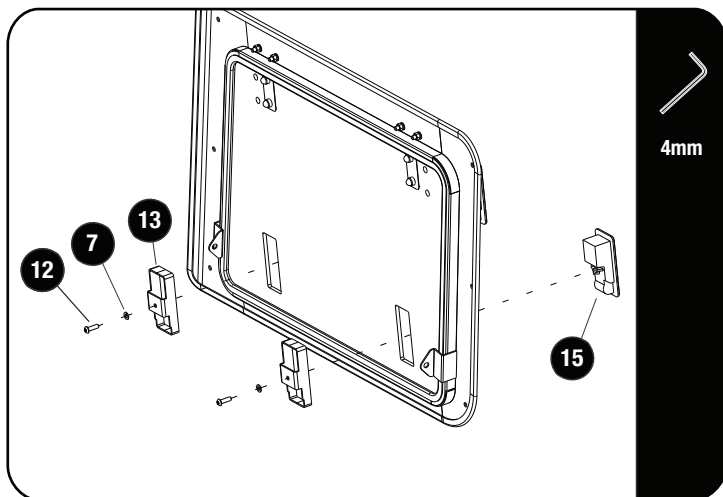
ASSEMBLE GULLWING WINDOW

2.1



Assemble the Glass or Aluminium Window (Item 5) to the Frame (Item 1) using four Foam Pads, four Plastic Bushes, two Hinge Plates, four M6 Flat Washers and Four M6 Nyloc Nuts (Item 3, 4, 10, 7 & 8).

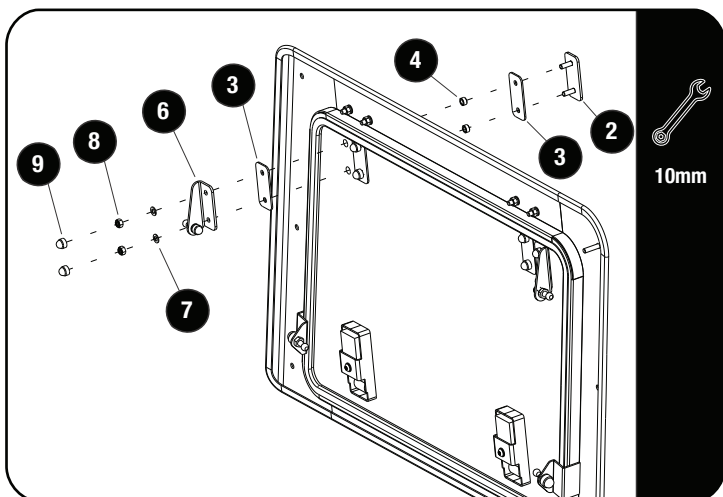
2.2



The silver mounting bracket recieved with the lock kit must be discarded and replaced by the Black Lock Mounting Bracket (Item 13)

Fit the two Locks (Item 15) to the Window using two Lock Mounting Brackets, two M6 Flat Washers and two M6 x 20 Button heads. (Item 13, 7 & 12)

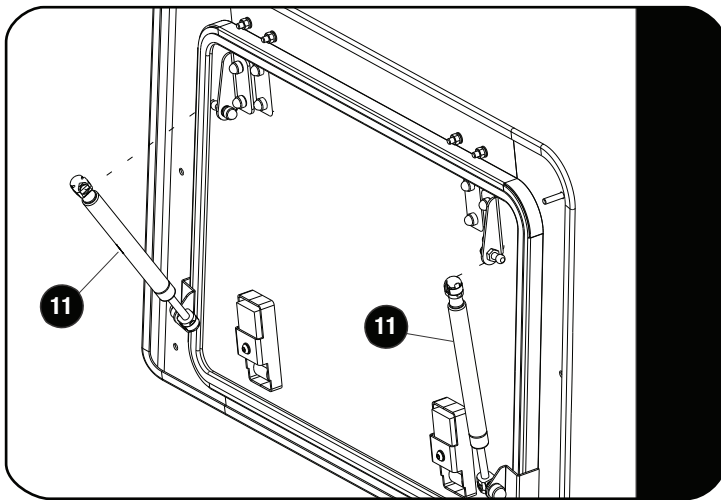
2.3



Fit the two Gas Strut Mounts (Item 6) to the Window using two Stud Plates, four Foam Pads, four Plastic Bushes, four M6 Flat Washers and four M6 Nyloc Nuts (Item 2, 3, 4, 7 & 8).

## 2 ASSEMBLE GULLWING WINDOW

2.4



Open the Gullwing Window and attach the two Gas Struts (Item 11) to the Window and frame assemblies by removing the retaining clip from the end of the Strut, clipping the end of the Strut over the Ball Joint and refitting clip as shown.

## 3 INSTALL GULLWING WINDOW

3.1

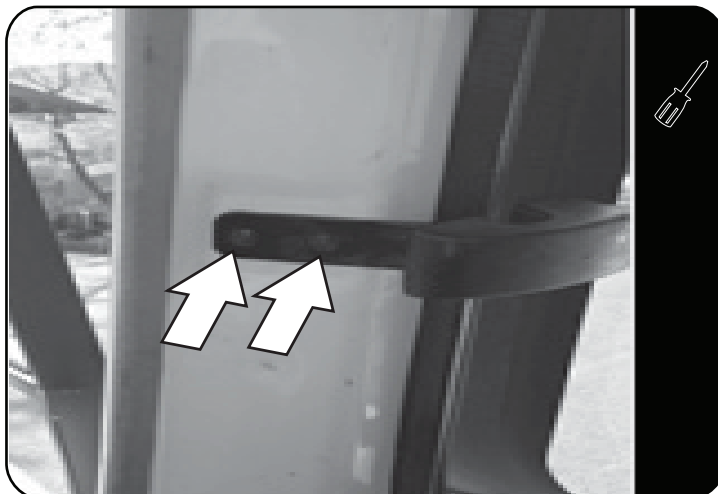


Working inside the rear of the vehicle on the side you have chosen to install your Gullwing Window, lift the rear cover of the rear passenger seat belt. Loosen the bolt as indicated in 3.1, and move the seat belt mounting to one side.

**3****INSTALL GULLWING WINDOW****3.2**

Pull back the Trim / Pinch Weld that runs down the side of the rear passenger door opening, carefully free the interior body panel from the vehicle.

Loosen and remove the four nuts securing the hinges to the vehicle as indicated by the arrows.

**3.3**

With a friend on the outside of the vehicle to support the rear window, loosen and remove the two screws securing the window latch to the vehicle as shown in 3.3. Remove the window from the vehicle.

**3.4**

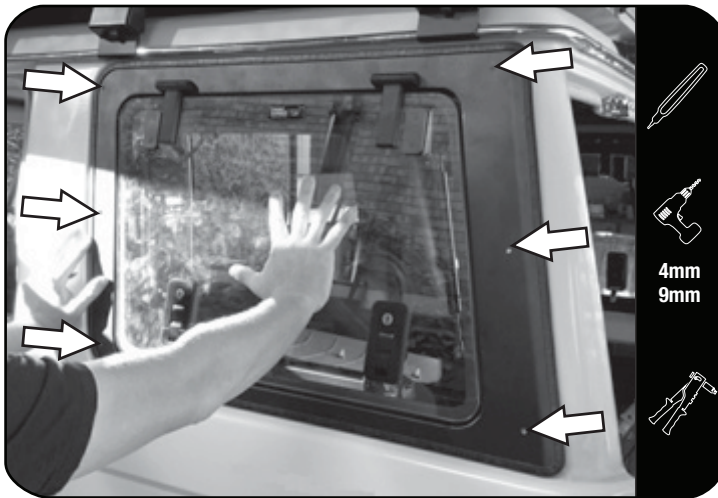
Fit the Gullwing Window into position, ensuring that the Window is tight up against the bottom and inner edges of the vehicle as indicated in 3.4



Glass Gullwing used for illustration.

## INSTALL GULLWING WINDOW

3.5

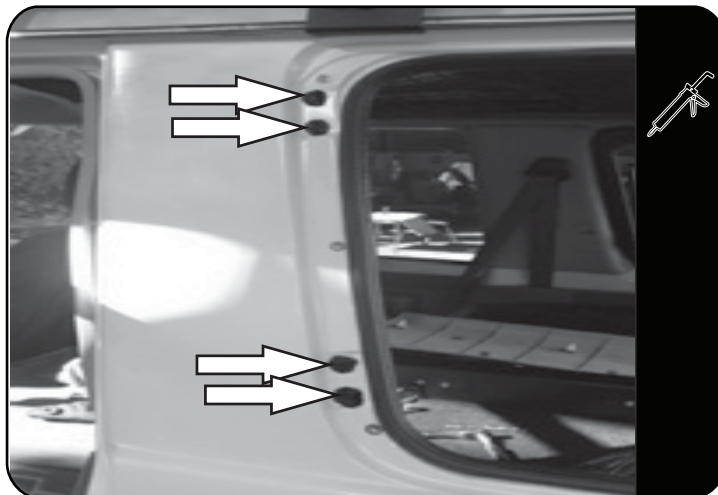


Mark the position of the six mounting points in the Gullwing's frame onto the vehicle's body.

Remove the Gullwing assembly and drill six pilot holes using a 4mm drill bit. Using a 9mm drill bit re-drill all pilot holes.

Insert a Rivnut (Item 14) into each of the 9mm holes and crimp fully.

3.6



Silicone over and around the four original bolt holes used to secure the vehicle's original rear side window to the vehicle.

3.7



Fit the Gullwing Window back into position, lining up the hole in the frame with the Rivnuts inserted in 3.5.

Secure the Gullwing Window to the vehicle using six M6 x 25 Button Head Bolts (Item 16). Tighten fully.

Refit the interior panel and seat belt removed in 3.1 and 3.2.

3

### **FINISH**

Congratulations! You did it. Take a step back and admire your work!

4

### **INSTALL OTHER VEHICLE AND RACK ACCESSORIES**

Now's the time to visit your favorite Front Runner Dealer in person or online.

Be sure to tag us. We love to see our gear in action! #FrontRunnerOutfitters #BornToRoam

Share your adventures on: 