

# START HERE!

## READ ME FIRST

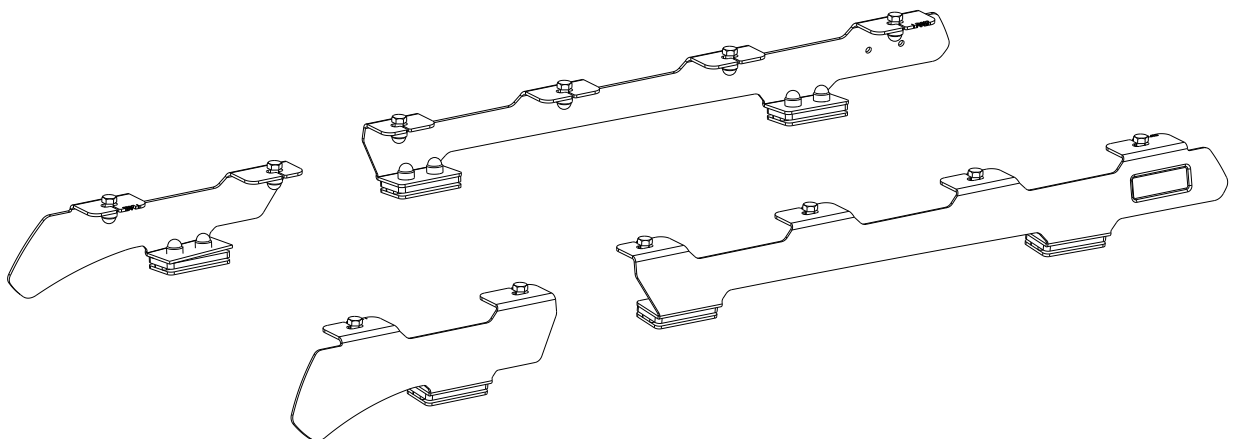
Don't be a hero and muscle through this installation without reading these fitting instructions first! Improper installation of this gear may void certain aspects of your warranty.

Before you begin, take a moment and open all your Front Runner Rack Kit boxes and gather the assembly instructions for the various components.

A complete kit will contain:

1. Front Runner Mounting System specific to your vehicle
2. Front Runner Rack Tray or Load Bar Slats

This document will guide you through the assembly of the Mounting System and assist you in fitting the Rack Tray or Load Bars to your specific vehicle. Please refer to the next page for a list of all the components, quantities and tools required.



### IMPORTANT WARNING! ⚠️

IT IS CRITICAL THAT ALL FRONT RUNNER PRODUCTS BE PROPERLY AND SECURELY ASSEMBLED AND ATTACHED TO YOUR VEHICLE. IMPROPER ATTACHMENT COULD RESULT IN AN AUTOMOBILE ACCIDENT, AND COULD CAUSE SERIOUS BODILY INJURY OR DEATH. YOU ARE RESPONSIBLE FOR ASSEMBLING AND SECURING ALL FRONT RUNNER PRODUCTS TO YOUR VEHICLE, CHECKING THE ATTACHMENTS PRIOR TO USE, AND PERIODICALLY INSPECTING THE PRODUCTS FOR ADJUSTMENT, WEAR AND DAMAGE. THEREFORE, YOU MUST READ AND UNDERSTAND ALL OF THE INSTRUCTIONS AND PRECAUTIONS SUPPLIED WITH YOUR FRONT RUNNER PRODUCT PRIOR TO INSTALLATION OR USE. IF YOU DO NOT UNDERSTAND ALL OF THE INSTRUCTIONS AND CAUTIONS, OR IF YOU HAVE NO MECHANICAL EXPERIENCE AND ARE NOT THOROUGHLY FAMILIAR WITH THE INSTALLATION PROCEDURES, YOU SHOULD HAVE THE PRODUCT INSTALLED BY A PROFESSIONAL INSTALLER OR OTHER QUALIFIED PERSONNEL.

**NOTE:** Front Runner will not be responsible for any damage caused by the failure to install the product according to these instructions.

Please call us if you have any questions about the installation of this product.



# 1 GET ORGANIZED

## IN THE BOX

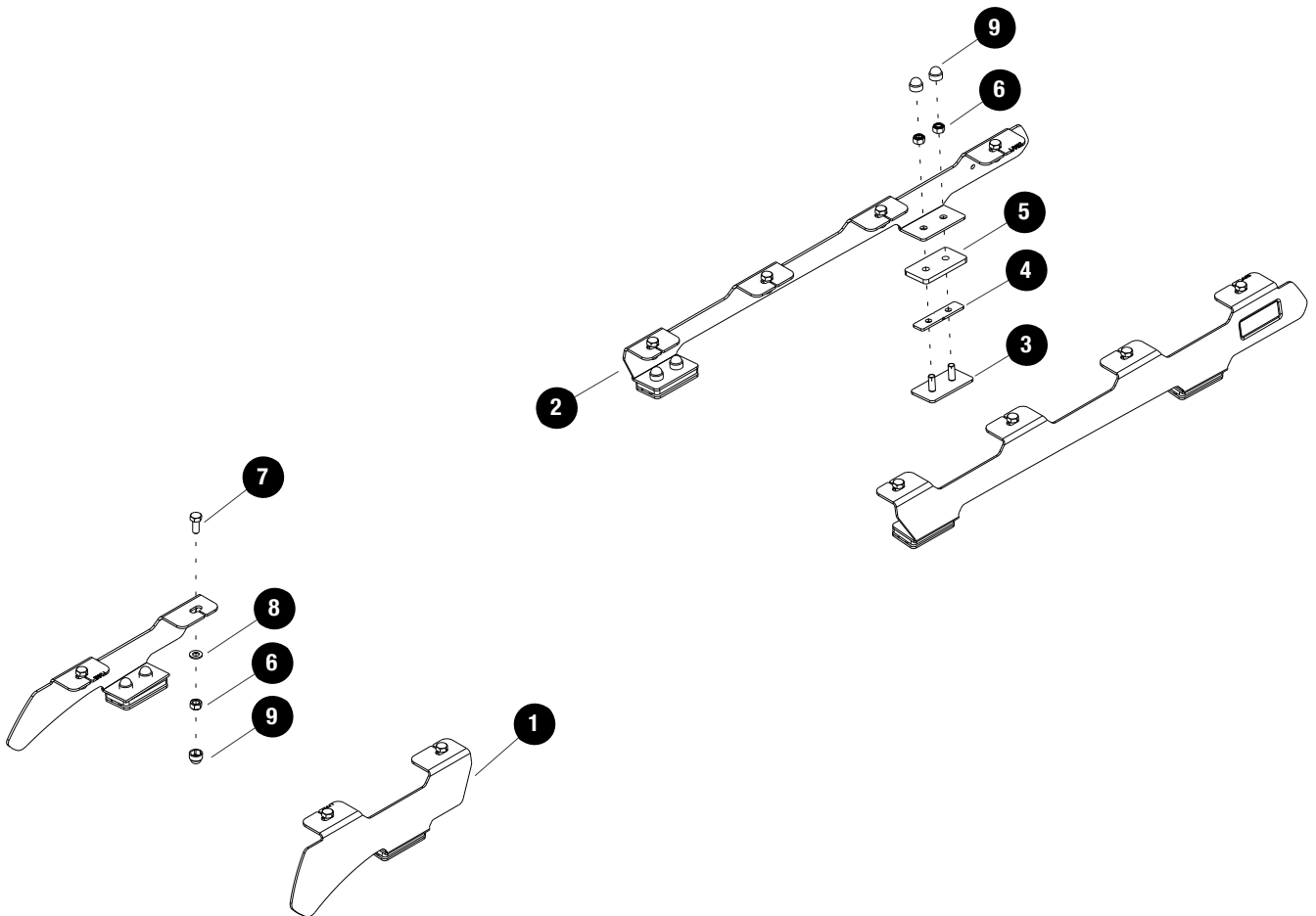
1	2 X	Front Foot Rail (1LH, 1RH)
2	2 X	Rear Foot Rail (1LH, 1RH)
3	6 X	Stud Plate
4	6 X	Stud Plate Spacer
5	6 X	Plastic Spacer
6	24 X	M8 Nyloc Nut
7	12 X	M8 x 20 Hex Head Bolt
8	12 X	M8 x 16 x 1.6 Flat Washer
9	24 X	M8 Nut Cap

## TOOLS NEEDED



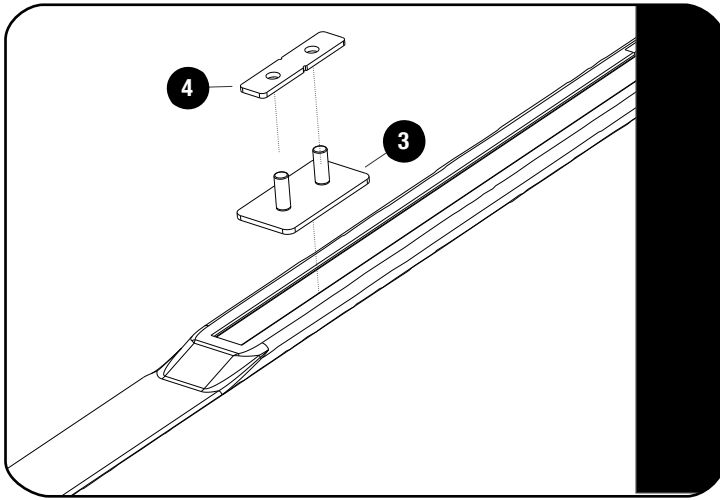
13mm

FIGURE 1.1



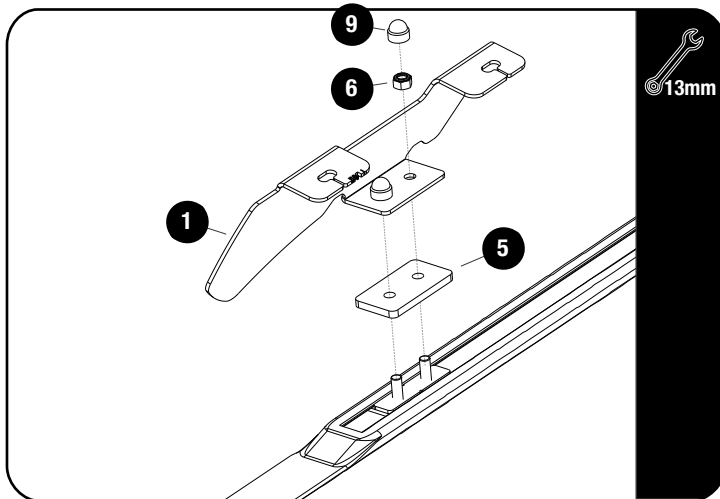
**2****FIT AND SECURE**

2.1



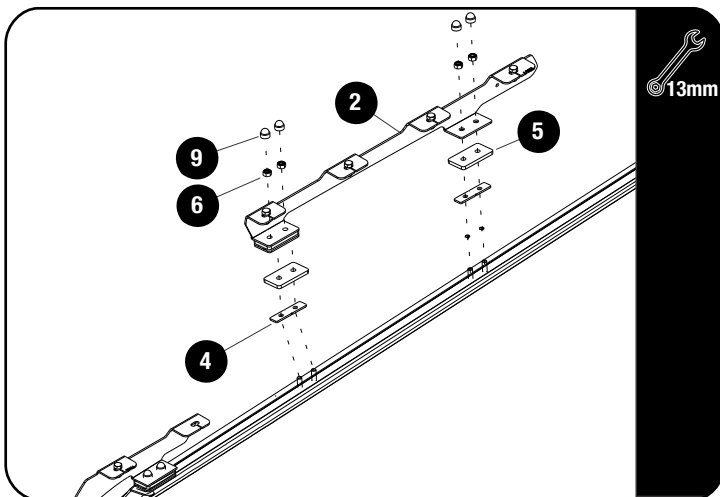
Assemble the Stud Plate and Stud Plate Spacer (Items 3 & 4) as shown. Insert the Stud Plate assemblies into the vehicle's OEM rails as shown three on the left side and three on the right side.

2.2



Secure the Front Foot Rail (Item 1) to the Stud Plate using 10mm Plastic Spacers and M8 Nyloc Nuts (Items 5 & 6). Push the Foot Rail all the way to the front of the channel and fully tighten.

2.3



Secure the Rear Foot Rail (Item 2) to the Stud Plate using 10mm Plastic Spacers and M8 Nyloc Nuts (Items 5 & 6). Do not fully tighten.

### 3

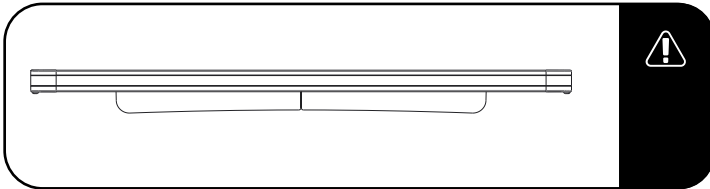
## FIT AND SECURE

3.1

Refer to RRSTUNI when assembling your Slimline II Tray.

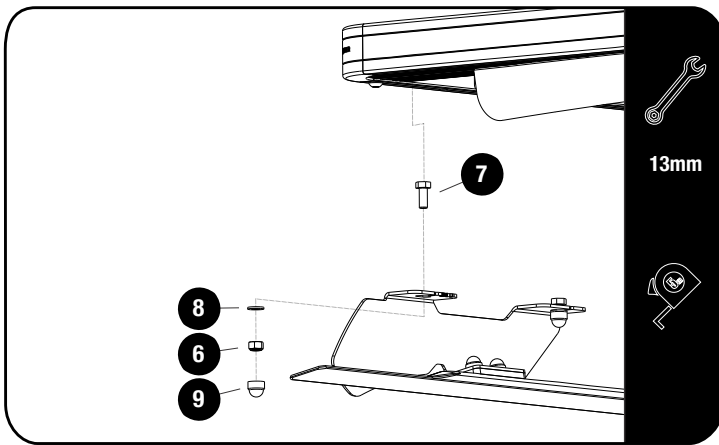


3.2



Make sure that the wind deflector is installed before you proceed to the next step.

3.3



Place the Rack onto the Foot Rails (Items 1 & 2) and align the Rear Foot Rail (Item 2).

Secure the Rack to the Foot Rails using M8 x 20 Hex Head Bolts, M8 x 16 x 1.6 Flat Washers and M8 Nyloc Nuts (Items 6, 7 & 8).

Center the Rack and fully tighten all fasteners including the rear Foot Rails fasteners.

3.4

Center the rack and tighten fully. Use M8 Nut Caps (Items 9) to finish off the nuts.



### 4

## FINISH

Congratulations! You did it. Take a step back and admire your work!

### 5

## INSTALL OTHER VEHICLE AND RACK ACCESSORIES

Now's the time to visit your favorite Front Runner Dealer in person or online.

Be sure to tag us. We love to see our gear in action! #FrontRunnerOutfitters #BornToRoam

Share your adventures on:

