

START HERE!

READ ME FIRST

Don't be a hero and muscle through this installation without reading these fitting instructions first! Improper installation of this gear may void certain aspects of your warranty.

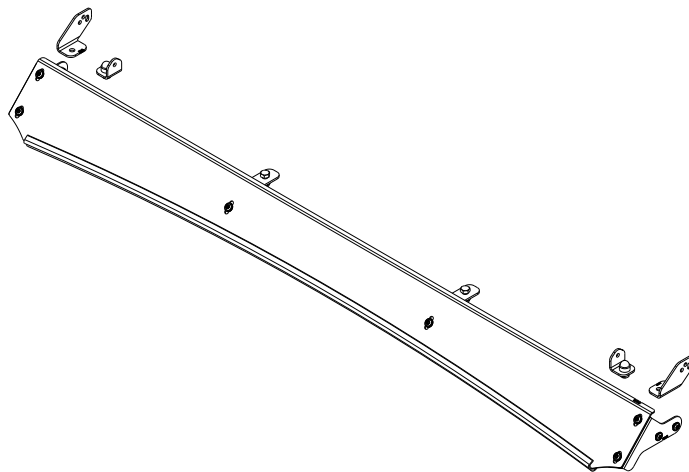
Before you begin, take a moment and open all your Front Runner rack kit boxes and gather the assembly instructions for the various components.

A complete kit will contain:

1. A Front Runner Mounting System specific to your vehicle
2. A Front Runner Rack Tray or Load Bar Slats

This document will guide you through the assembly of the mounting system and assist you in fitting the roof rack tray or load bars to your specific vehicle.

Please refer to the next page for a list of all the components, quantities and tools required.



IMPORTANT WARNING! ⚠

IT IS CRITICAL THAT ALL FRONT RUNNER PRODUCTS BE PROPERLY AND SECURELY ASSEMBLED AND ATTACHED TO YOUR VEHICLE. IMPROPER ATTACHMENT COULD RESULT IN AN AUTOMOBILE ACCIDENT, AND COULD CAUSE SERIOUS BODILY INJURY OR DEATH. YOU ARE RESPONSIBLE FOR ASSEMBLING AND SECURING ALL FRONT RUNNER PRODUCTS TO YOUR VEHICLE, CHECKING THE ATTACHMENTS PRIOR TO USE, AND PERIODICALLY INSPECTING THE PRODUCTS FOR ADJUSTMENT, WEAR AND DAMAGE. THEREFORE, YOU MUST READ AND UNDERSTAND ALL OF THE INSTRUCTIONS AND PRECAUTIONS SUPPLIED WITH YOUR FRONT RUNNER PRODUCT PRIOR TO INSTALLATION OR USE. IF YOU DO NOT UNDERSTAND ALL OF THE INSTRUCTIONS AND CAUTIONS, OR IF YOU HAVE NO MECHANICAL EXPERIENCE AND ARE NOT THOROUGHLY FAMILIAR WITH THE INSTALLATION PROCEDURES, YOU SHOULD HAVE THE PRODUCT INSTALLED BY A PROFESSIONAL INSTALLER OR OTHER QUALIFIED PERSONNEL.

NOTE: Front Runner will not be responsible for any damage caused by the failure to install the product according to these instructions.

Please call us if you have any questions about the installation of this product.



1 GET ORGANIZED

IN THE BOX

1	1 X	Slimsport Wind Fairing
2	1 X	Side mount Bracket LH
3	1 X	Side mount Bracket RH
4	2 X	Center Mount Bracket
5	10 X	M6 x 16 Button Head Flange Bolt
6	2 X	Light Bar Bracket 01
7	2 X	Light Bar Bracket 02
8	4 X	M8 x 16 Hex Bolt
9	4 X	M8 Nyloc Nut
10	4 X	M8 Nut Cap
11	1 X	Rubber strip 1225mm Long

TOOLS NEEDED



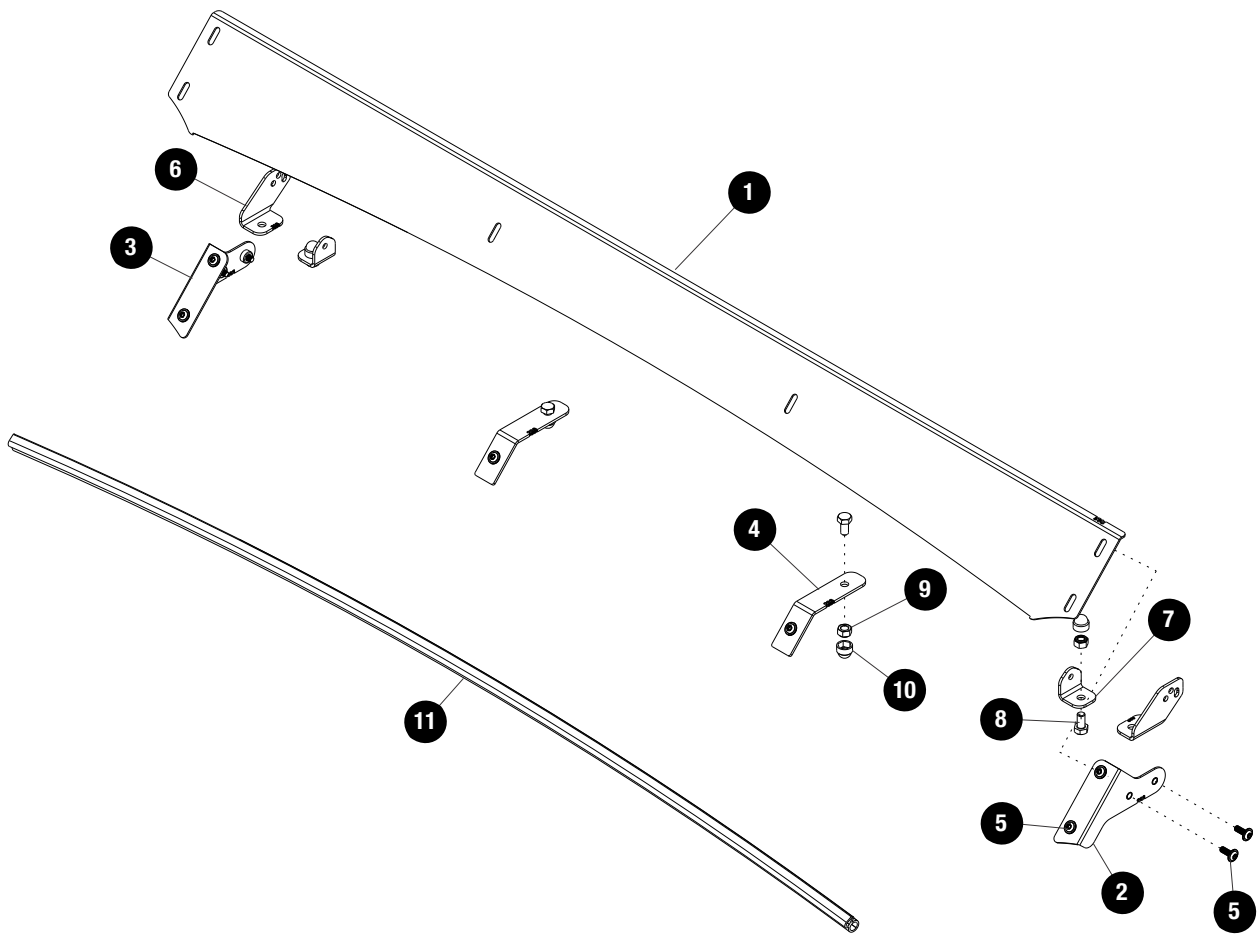
Cordless Driver



13mm



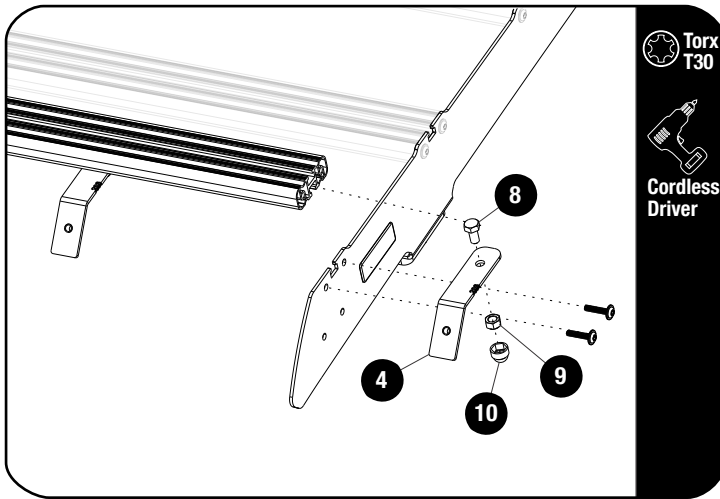
Torx T30



2

FIT AND SECURE

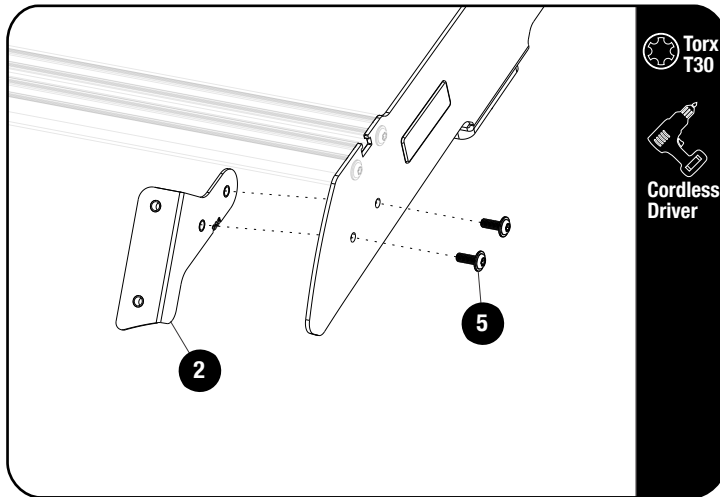
2.1



Starting by removing the 4 x M6 x 25 Thread forming screws from the front of the Roof Rack.

Slide the 2 x M8 x 16 Hex bolts (Item 8) into the bottom of the T-slot of the slat. Place the 2 x Center mount bracket (Item 4) over the M8 x 16 Hex bolt and loosely fit the M8 Nyloc Nut (ITEM 9). DO NOT TIGHTEN.

2.2

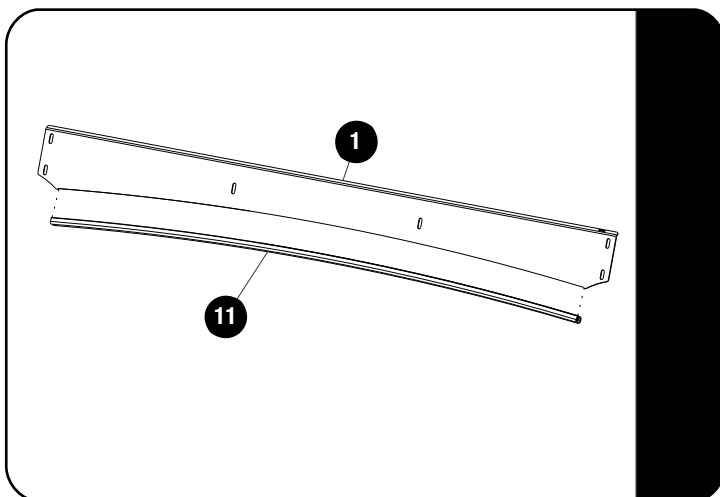


Assemble the Side mount Bracket (Item 2) to the Foot Rail using the M6 x 16 Button Head Flange Bolt (Item 5) and fully tighten.



Tightening Torque 8-10Nm / 5.9 ft lb - 7.38 ft lb.

2.3

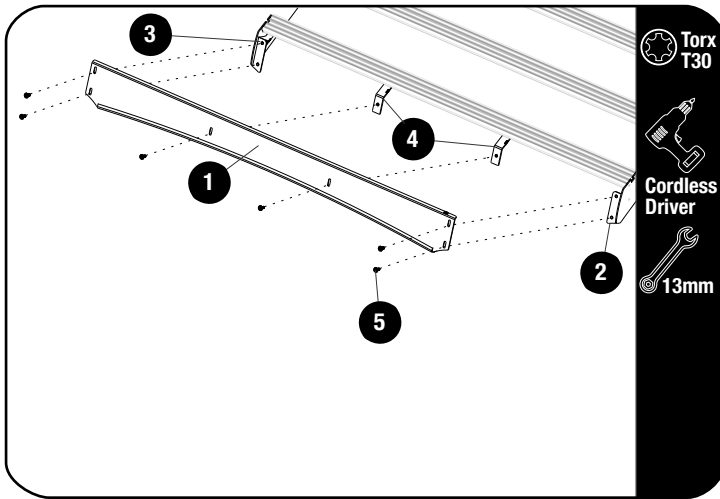


Before moving to the next step fit the Rubber strip (Item 11) as shown to the Slimsport Wind Fairing (Item 1).

2

FIT AND SECURE

2.4



After the Rubber strip is fitted to the Slimsport Wind Fairing lift the Wind Fairing into place and fit the Wind Fairing to the Side mount Bracket (Item 2 & 3) using the M6 x 16 Button Head Flange Bolt (Item 5). **DO NOT FULLY TIGHTEN.**

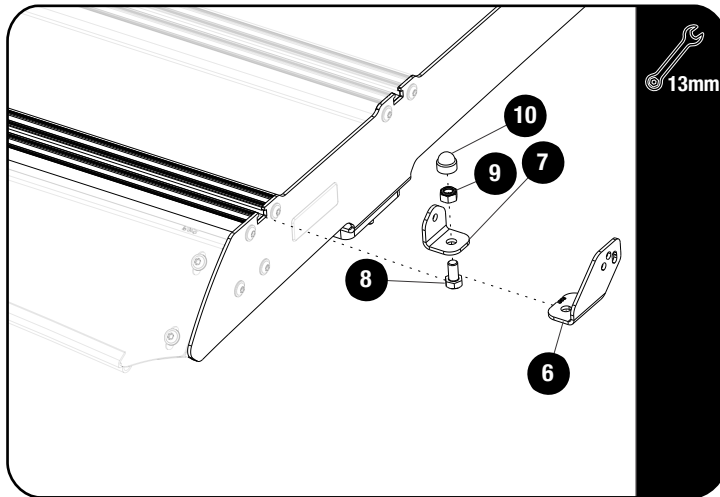
Slide the Center mount bracket (Item 4) fitted in 2.1 to match up with the holes in the Wind Fairing use the M6 x 16 Button Head Flange Bolt (Item 5) and tighten all the bolts as shown.

Place M8 Nut Caps on all the My Nyloc Nuts.



Tightening Torque 8-10Nm / 5.9 ft lb - 7.38 ft lb.

2.5



In order to fit a Light bar slide the M8 x 16 Hex Bolt into the T-Slot opening of the Slat, If you fit a Slim Line Light Bar use the Light Bar Bracket 02 (Item 7) together with the M8 Nyloc Nut (Item 9) and M8 Nut Cap (Item 10)

If you fit a Standard Light Bar use the Light Bar Bracket 01 (Item 6) together with the M8 Nyloc Nut (Item 9) and M8 Nut Cap (Item 10)

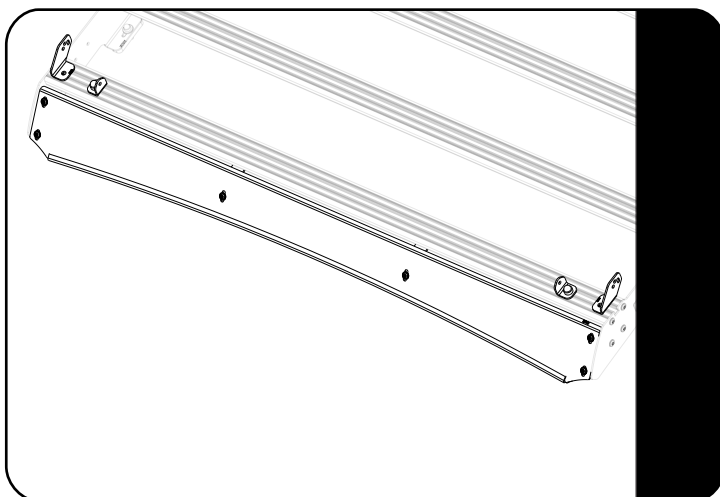
Position the Light Bar where needed and tighten the M8 Nyloc Nut (Item 9) and place the M8 Nut Cap (Item 10) on the My Nyloc Nut.



Tightening Torque:

M6 : 8-10Nm / 5.9 ft lb - 7.38 ft lb

2.6



Congratulations! You did it. Take a step back and admire your work!

3

COMPLETION

3.1

Congratulations! You did it. Take a step back and admire your work!



4

INSTALL OTHER VEHICLE AND RACK ACCESSORIES

Now's the time to visit your favorite Front Runner dealer in person or online.

IMPORTANT!

FRONT RUNNER RACK KITS OFTEN HAVE A HIGHER LOAD RATING THAN THE VEHICLES THEY ARE MOUNTED TO. PLEASE REFER TO YOUR SPECIFIC VEHICLE MANUFACTURER FOR A RECOMMENDED ROOF RATING. FRONT RUNNER CANNOT BE RESPONSIBLE FOR IMPROPER LOADING BEYOND THE VEHICLE MANUFACTURER'S STATED LOAD CAPACITY.

Be sure to tag us. We love to see our gear in action! #FrontRunnerOutfitters #BornToRoam

Share your adventures on: 