

READ ME! ⚠

Thank you for purchasing a Front Runner Vehicle / Trailer Side Mount For Pro Water Tank / 20L.

Before you start, take a moment to familiarize yourself with the Fitting Instructions and the included components.

Refer to Page 2 for a list of all the components, quantities and tools required.

IMPORTANT WARNING! ⚠

IT IS CRITICAL THAT ALL FRONT RUNNER PRODUCTS BE PROPERLY AND SECURELY ASSEMBLED AND ATTACHED TO YOUR VEHICLE. IMPROPER ATTACHMENT COULD RESULT IN AN AUTOMOBILE ACCIDENT, AND COULD CAUSE SERIOUS BODILY INJURY OR DEATH. YOU ARE RESPONSIBLE FOR ASSEMBLING AND SECURING ALL FRONT RUNNER PRODUCTS TO YOUR VEHICLE, CHECKING THE ATTACHMENTS PRIOR TO USE, AND PERIODICALLY INSPECTING THE PRODUCTS FOR ADJUSTMENT, WEAR AND DAMAGE. THEREFORE, YOU MUST READ AND UNDERSTAND ALL OF THE INSTRUCTIONS AND PRECAUTIONS SUPPLIED WITH YOUR FRONT RUNNER PRODUCT PRIOR TO INSTALLATION OR USE. IF YOU DO NOT UNDERSTAND ALL OF THE INSTRUCTIONS AND CAUTIONS, OR IF YOU HAVE NO MECHANICAL EXPERIENCE AND ARE NOT THOROUGHLY FAMILIAR WITH THE INSTALLATION PROCEDURES, YOU SHOULD HAVE THE PRODUCT INSTALLED BY A PROFESSIONAL INSTALLER OR OTHER QUALIFIED PERSONNEL.

NOTE: Front Runner will not be responsible for any damage caused by the failure to install the product according to these instructions.

Please call us if you have any questions about the installation of this product.



1 GET ORGANIZED

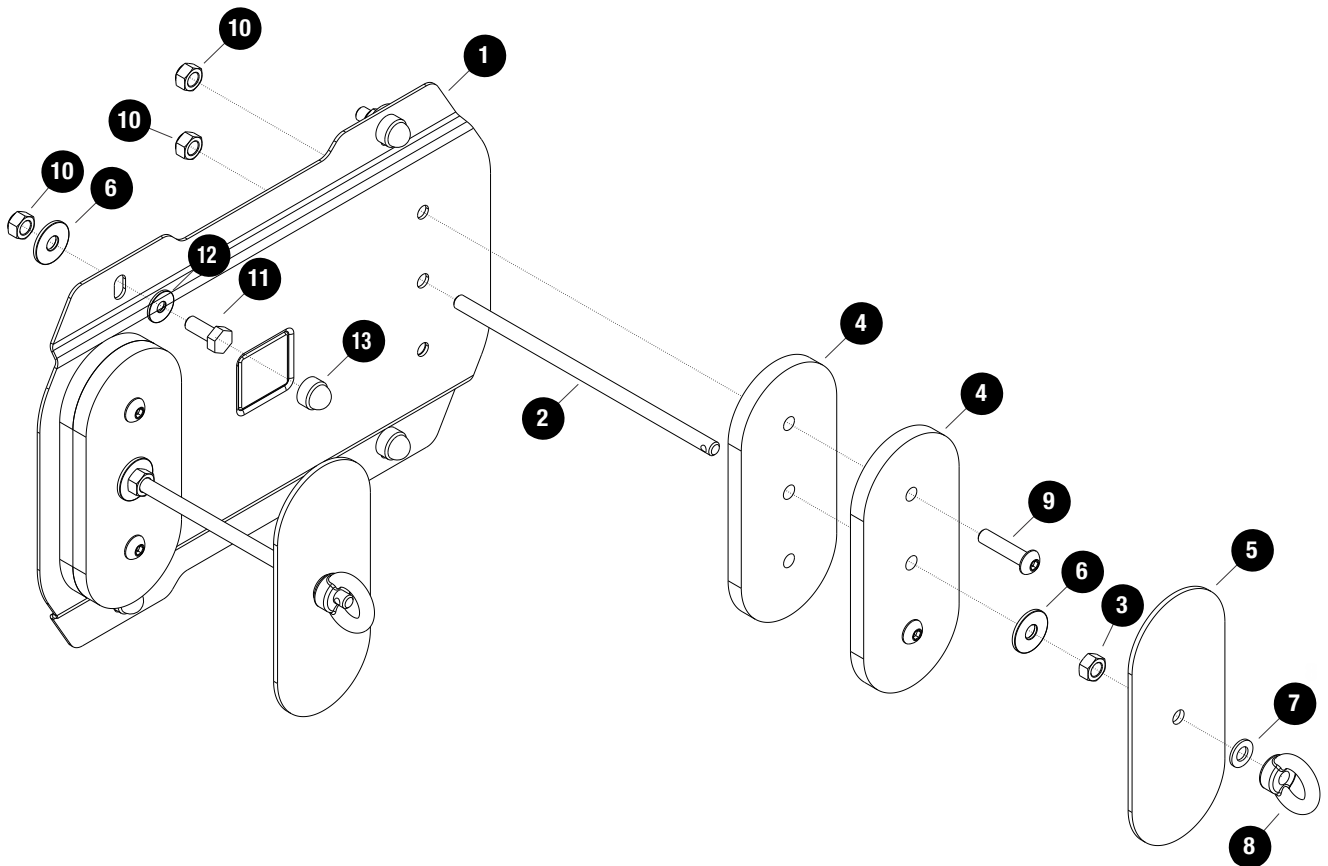
IN THE BOX

- | | | |
|----|------|---------------------------------|
| 1 | 1 X | Mounting Bracket |
| 2 | 2 X | M8 x 195mm Threaded Rod |
| 3 | 2 X | M8 Hex Nut |
| 4 | 4 X | Locating Spacers (10mm Plastic) |
| 5 | 2 X | Locating Plate |
| 6 | 6 X | M8 x 25 x 2 Flat Washer |
| 7 | 2 X | M8 Nylon Washer |
| 8 | 2 X | M8 Eyenut |
| 9 | 4 X | M8 x 35 Button Head Bolt |
| 10 | 10 X | M8 Nyloc Nut |
| 11 | 4 X | M8 x 20 Hex Head Bolt |
| 12 | 4 x | M8 x 19 X 2 Flat Washer |
| 13 | 4 X | M8 Nut Cap |

TOOLS NEEDED



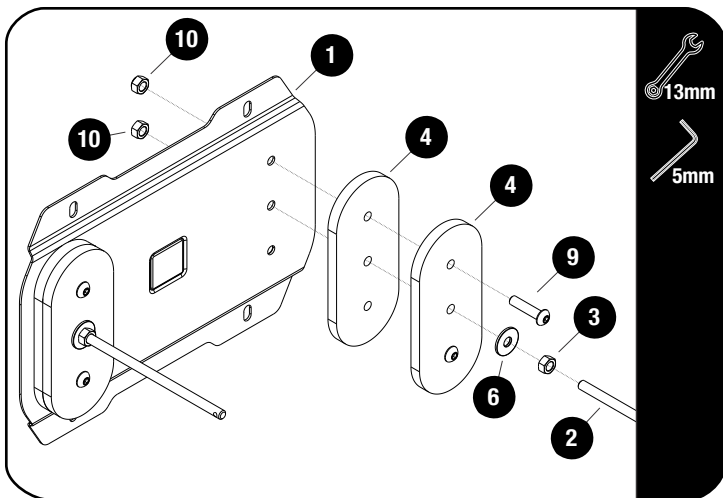
FIGURE 1.1



2

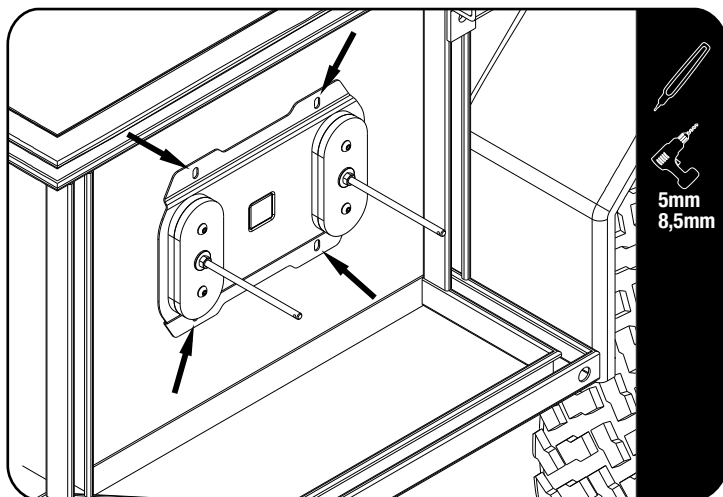
FIT AND SECURE

2.1



Secure the Locating Spacers and Threaded Rod (Items 2 & 4) to the Mounting Bracket (Item 1) using M8 x 35 Button Head Bolts, M8 Nyloc Nuts, M8 x 25 x 2 Flat Washers and M8 Hex Nuts (Items 3, 6, 9 & 10).

2.2



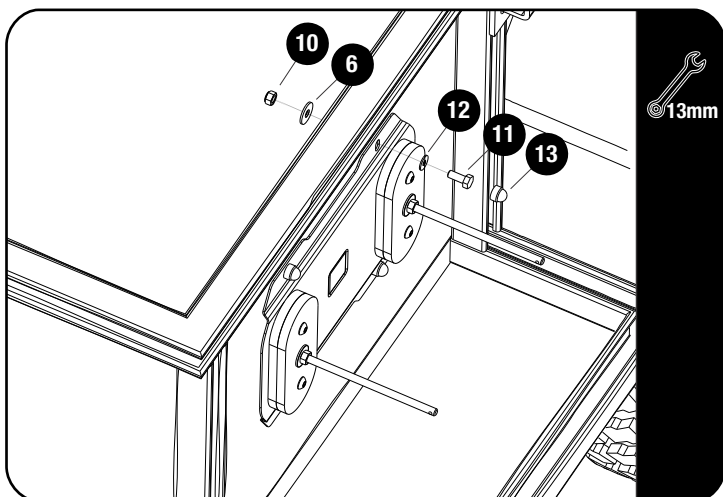
Decide where you would like to mount the bracket assembly and mark the center of the 4 slots indicated in fig 2.2.



Check for Tap clearance before drilling by fitting Pro Water Tank / 20L onto the Bracket.

Drill a 5mm pilot hole on the center marks you made and then open to 8,5mm.

2.3



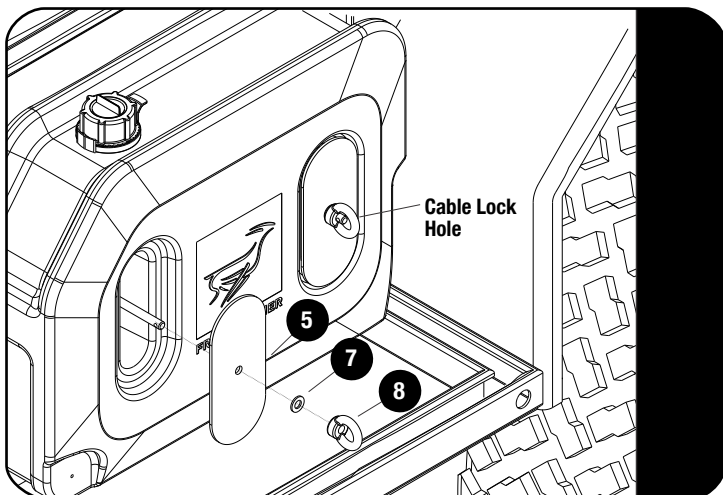
Secure the Bracket to the trailer using M8 x 20 Hex Bolts, M8 x 25 x 2 Flat Washers and M8 Nyloc Nuts (Items 6, 10 & 11). Fully tighten.

Place M8 Nut Caps (Item 12) over all Hex Bolts.

2

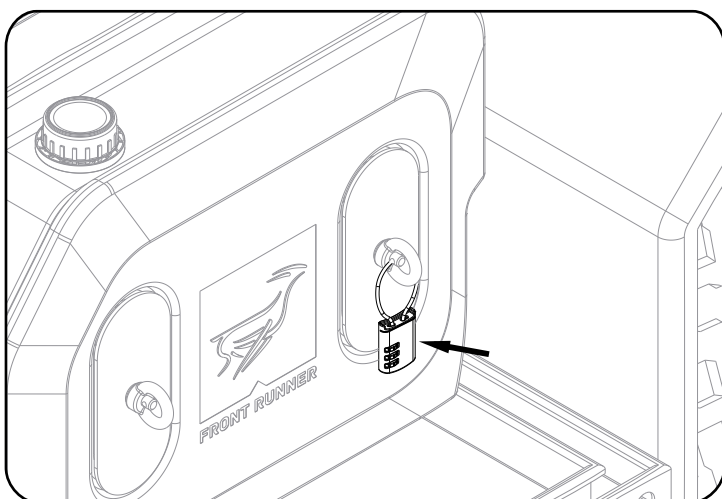
FIT AND SECURE

2.4



Secure your Pro Water Tank / 20L (sold separately) to the Mounting Bracket using the Locating Plate, M8 Nylon Washers and M8 Eye nuts (Items 5 , 7 & 8).

2.5



Tip: Pro Water Tank/ 20L (sold separately) can be locked to the bracket using a cable lock (RRAC134 sold separately).

3

FINISH

Congratulations! You did it. Take a step back and admire your work!

4

INSTALL OTHER VEHICLE AND RACK ACCESSORIES

Now's the time to visit your favorite Front Runner dealer in person or online.

Be sure to tag us. We love to see our gear in action! #FrontRunnerOutfitters #BornToRoam

Share your adventures on:

