

Truma UltraRapid

Hot Water System

Showering, dishwashing, washing your hands – the Truma UltraRapid Hot Water System HWS provide a reliable supply of hot water in leisure vehicles. Truma has now taken the development of the well-tried Boiler further and adapted it to the continuously increasing demands of the standards. The new Truma UltraRapid HWS impresses with increased heating power, compact dimensions and new black design..



- **Stronger heating element 1415 W (240 V) instead of 925 W (240 V) for shorter heat up and reheat time.**
- **Space saving dimensions (same foot print like the Boiler) and less weight than competitor products.**
- **Only JG connections for easier and faster installation.**
- **Modern design with black housing and black control panel.**
- **Improved corrosion resistancy due to design and production change of the heating element and the water tank.**
- **Extended warranty period of 24 months.**

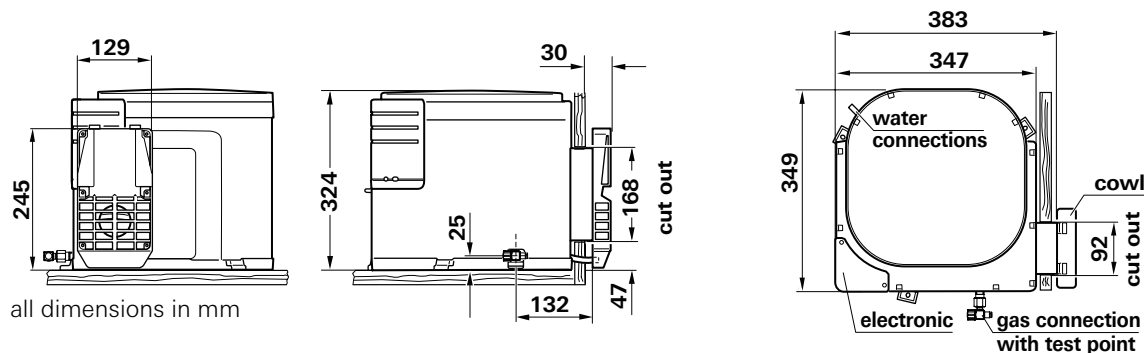
Product variants	UltraRapid Gas / Electric UltraRapid Gas	Part no. 73211-22 Part no. 73211-02
	73211-22	Truma UltraRapid Gas / Electric HWS, 14 L, JG1, water set, cream white cowl, control panel for gas / electric operation, black cover frame
	73211-02	Truma UltraRapid Gas HWS, 14 L, JG1, water set, cream white cowl, control panel for gas / electric operation, black cover frame

Truma UltraRapid

Dimensions and technical details

The new Truma UltraRapid Hot Water System is the same height as the previous Boiler and there are only minimal differences in the length and the width.

Technical details



		Truma UltraRapid Gas Hot Water System	Truma UltraRapid Gas / Electric Hot Water System
Water	Contents	14 litres	14 litres
	Pump pressure	max. 2.8 bar	max. 2.8 bar
	System pressure	max. 4.5 bar	max. 4.5 bar
	Selectable temperature	60 °C or 70 °C	–
	Connection	Pressure-resistant hot water hose, Ø 12 mm for rigid pipe installations	
Gas	Type of Gas	Liquid gas (Propane)	
	Test point pressure	2.75 kPa	2.75 kPa
	Nominal input	4.7 MJ/h	4.7 MJ/h
	Heat output	4.1 MJ/h	4.1 MJ/h
	Gas consumption	90 g/h	90 g/h
Current	Power supply	–	230 V / 240 V AC, 50 Hz
	Connection	12 V DC	12 V DC + 230 V / 240 V AC
	Output power 230 V / 240 V	–	1300 W (5.7 A) / 1415 W (5.9 A)
	Power consumption		
	Heating up 230 V / 240 V	–	1300 W (5.7 A) / 1415 W (5.9 A)
	Power consumption 12 V		
	Ignition	0.17 A	0.17 A
	Heating up	0.08 A	0.08 A
Stand-by	0.04 A	0.04 A	
Heating times	Heating up time from approx. 20 °C up to approx. 65 °C		
	Mixed mode	–	approx. 28 min
	Electrical mode	–	approx. 40 min
	Gas mode	approx. 45 min	approx. 45 min
Weight (excluding contents and accessory kits)		6.7 kg	7.2 kg

The electric heating element in the water heater is supplied with a mains cable and fitted 3-pole, earthed plug (in compliance with the norm AS/NZS 3112/2000). All other technical parameters remain the same.