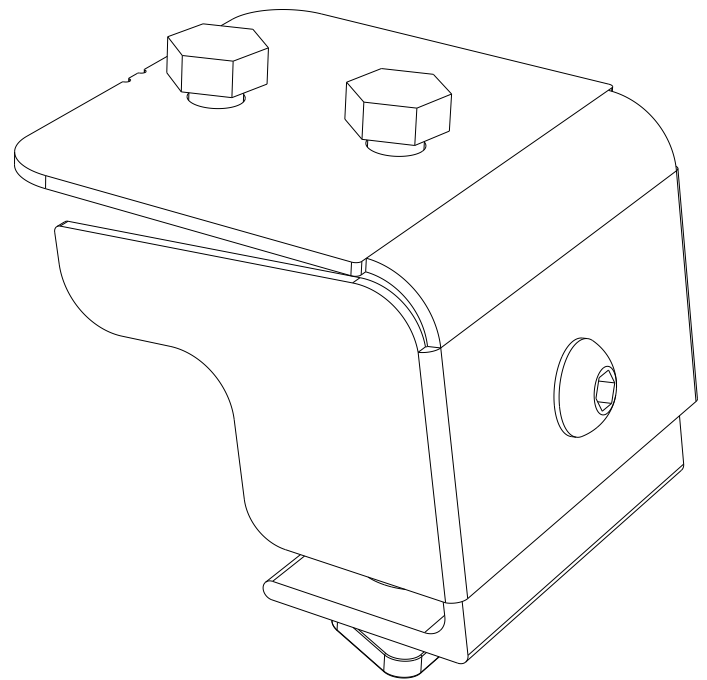
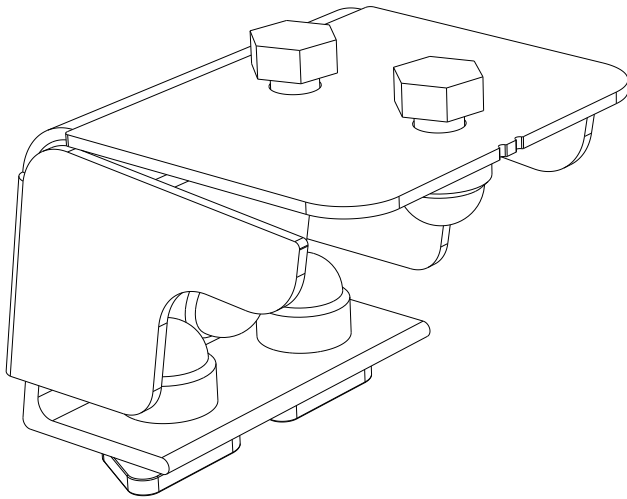


FRONT RUNNER

FOOT
(40MM - 50MM, 60MM - 70MM)
(ANGLED 65MM & ANGLED 75MM)

ENG

FASSUNI



READ ME !

Thank you for purchasing a Front Runner Foot Set.

Before you start, take a moment to familiarize yourself with the Fitting Instructions and the components received.

Refer to Page 2 for a list of all the components, quantities and tools required.

IMPORTANT WARNING!

IT IS CRITICAL THAT ALL FRONT RUNNER PRODUCTS BE PROPERLY AND SECURELY ASSEMBLED AND ATTACHED TO YOUR VEHICLE. IMPROPER ATTACHMENT COULD RESULT IN AN AUTOMOBILE ACCIDENT, AND COULD CAUSE SERIOUS BODILY INJURY OR DEATH. YOU ARE RESPONSIBLE FOR ASSEMBLING AND SECURING ALL FRONT RUNNER PRODUCTS TO YOUR VEHICLE, CHECKING THE ATTACHMENTS PRIOR TO USE, AND PERIODICALLY INSPECTING THE PRODUCTS FOR ADJUSTMENT, WEAR AND DAMAGE. THEREFORE, YOU MUST READ AND UNDERSTAND ALL OF THE INSTRUCTIONS AND PRECAUTIONS SUPPLIED WITH YOUR FRONT RUNNER PRODUCT PRIOR TO INSTALLATION OR USE. IF YOU DO NOT UNDERSTAND ALL OF THE INSTRUCTIONS AND CAUTIONS, OR IF YOU HAVE NO MECHANICAL EXPERIENCE AND ARE NOT THOROUGHLY FAMILIAR WITH THE INSTALLATION PROCEDURES, YOU SHOULD HAVE THE PRODUCT INSTALLED BY A PROFESSIONAL INSTALLER OR OTHER QUALIFIED PERSONNEL.

NOTE: Front Runner will not be responsible for any damage caused by the failure to install the product according to these instructions.

Please call us if you have any questions about the installation of this product.



1 GET ORGANIZED

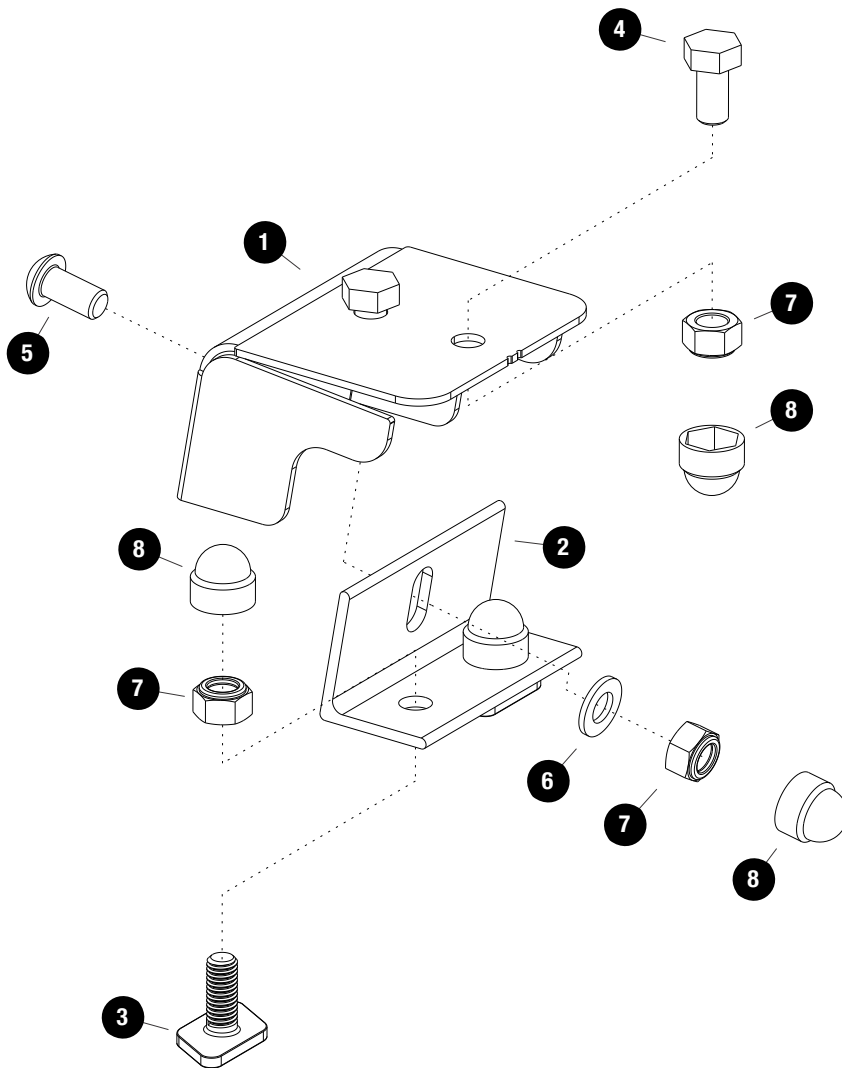
IN THE BOX

1	2 X	Foot Top
2	2 X	Foot Base
3	4 X	M8 x 20 T-Bolt
4	4 X	M8 x 16 Hex Bolt
5	2 X	M8 x 16 Button Head Bolt
6	2 X	M8 x 16 x 1.6 Flat Washer
7	10 X	M8 Nyloc Nut
8	10 X	M8 Nut Cap

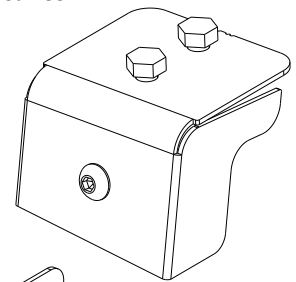
TOOLS NEEDED



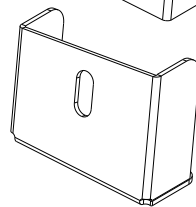
FIGURE 1.1



Angled Foot

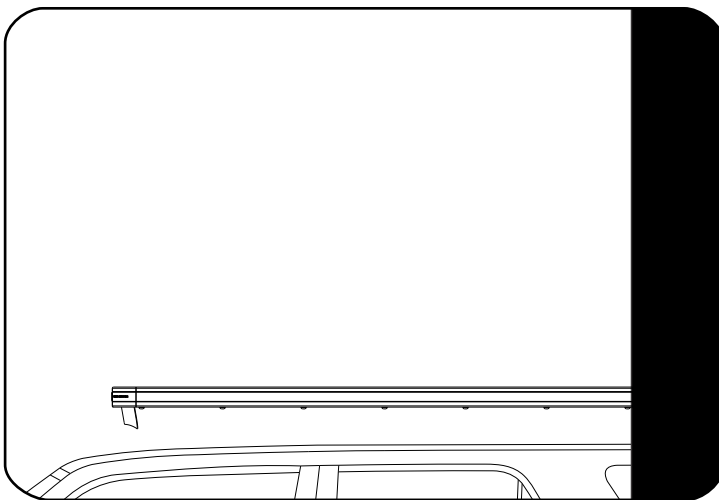


Angled Foot Base



2**FIT AND SECURE**

2.1



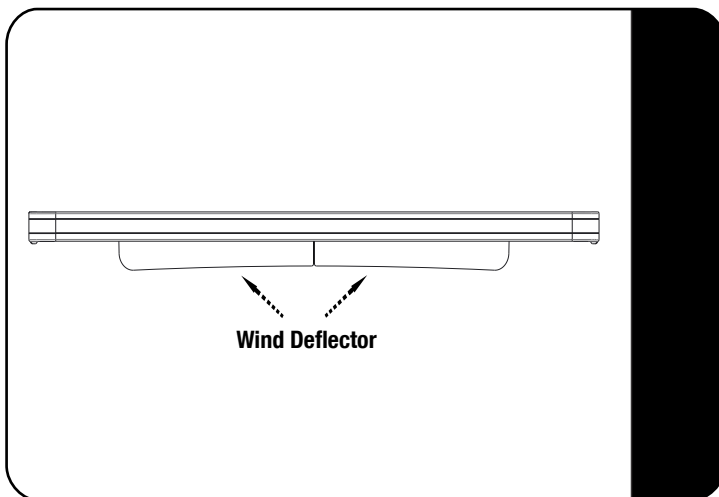
Place your Front Runner Roof Rack over your vehicle and find the best position. The Rack should sit level to the ground, not the vehicles roof line, or slanting slightly down toward the front.

Find the best position for the Feet, using the Combined Slat or Second Slat (Combined Slat recommended).

Remove the Rack and find a suitable surface to do the assembly.

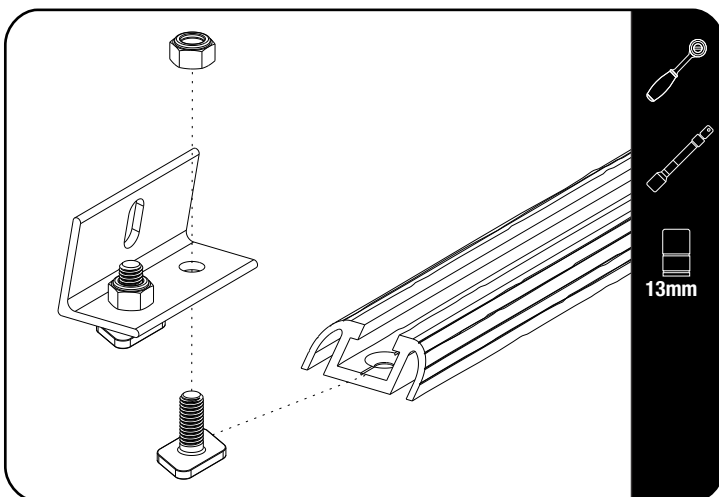
Flip the Rack so that the bottom of the Rack faces up. Insert two M8 x 16 Hex Bolts (Item 4) into the Slats machined slots that you have identified.

2.2



While your Rack is flipped make sure that the wind deflector is installed on the first slat.

2.3

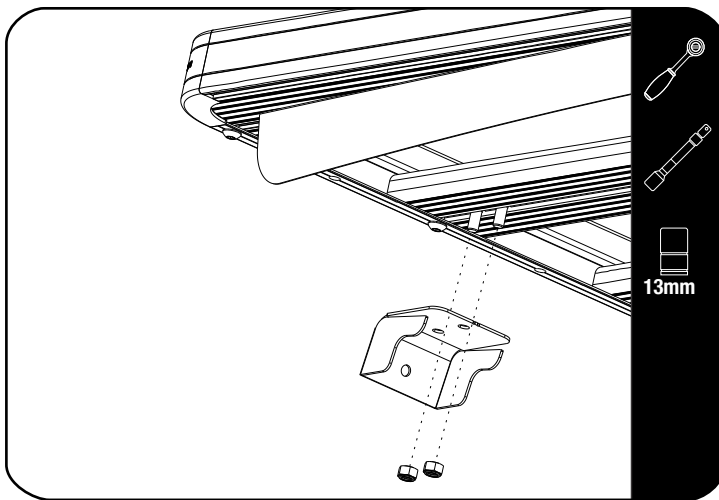


Slide the M8 x 20 T-Bolts (Item 3) into the track as shown, assemble the Foot Base (Item 2) using M8 x 20 T-Bolts and M8 Nyloc Nuts (Items 3 & 7).



Fully tighten and then loosen slightly to allow the foot base to slide in the track.

2.4

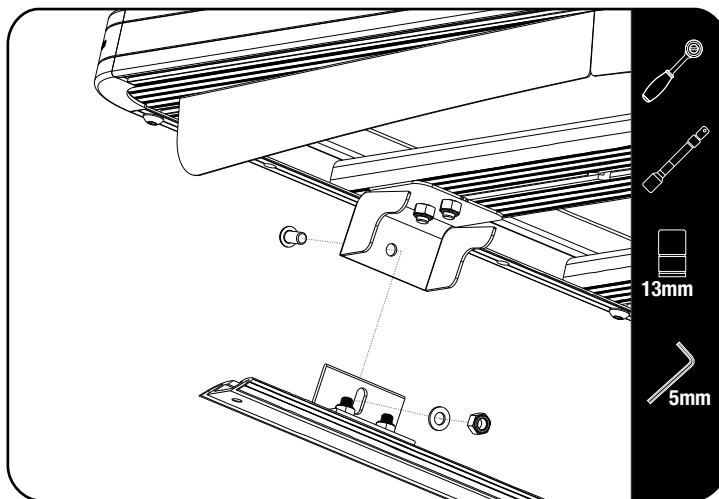


Assemble the Foot Top (Item 1) to the Rack as shown using M8 x 20 Hex Bolts inserted earlier in 2.1 and M8 Nyloc Nuts (Items 4 & 7).



Do not fully tighten to allow for the Foot tops to slide in the slats T-slot.

2.5

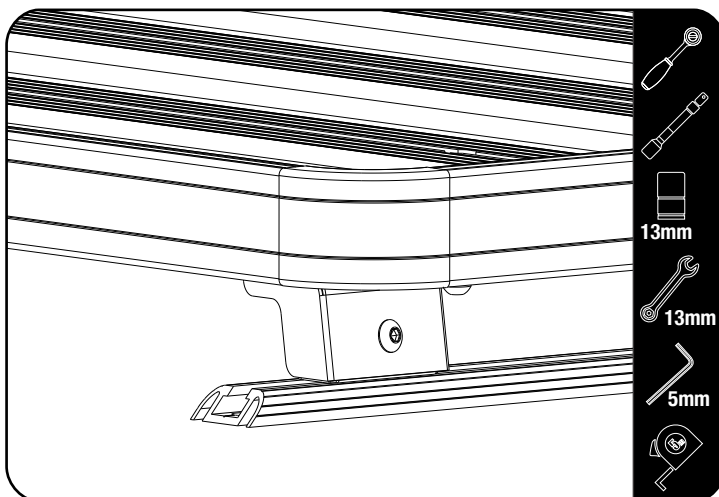


Position the Rack over the Foot Bases. Assemble using, M8 x 16 Button Head Bolts, M8 x 16 x 1.6 Flat Washers & M8 Nyloc Nuts (Items 5, 6 & 7).



Do not fully tighten to allow the Foot height to be adjusted if required.

2.6



Before tightening the Foot Base to the tracks, position the Rack so that it sits level to the ground, not the vehicles roof line, or slanting slightly down toward the front.

First tighten the Feet to the tracks using a 13mm wrench, then center the rack left to right and fully tighten the fasteners from 2.4.

Lastly set the height and fully tighten the M8 x 16 Button Head Bolts and M8 Nyloc Nuts (Items 5 & 7).



Tightening Torque 20Nm or 15 ft lb



Check clearance with sunroof operation and any accessories fitted.

25mm clearance is needed between roof and table bracket, if fitted.

Place M8 Nut Caps (Item 8) over all of the Nyloc Nuts.

3

FINISH

Congratulations! You did it. Take a step back and admire your work!

4

INSTALL OTHER VEHICLE AND RACK ACCESSORIES

Now's the time to visit your favorite Front Runner Dealer in person or online.

Be sure to tag us. We love to see our gear in action! #FrontRunnerOutfitters #BornToRoam

Share your adventures on: 