



START HERE!

READ ME FIRST

Don't be a hero and muscle through this without first reading these fitting instructions! Improper installation of this gear may void certain aspects of your warranty.

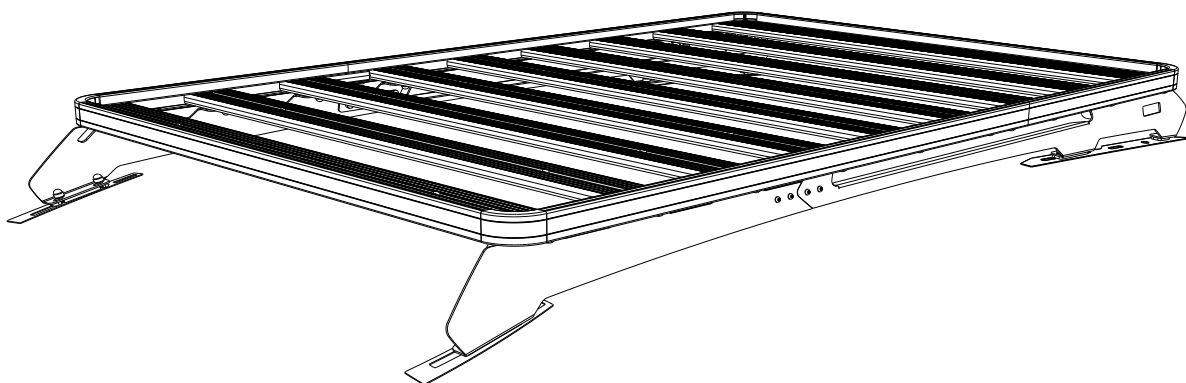
Before you begin, take a moment and open all your Front Runner rack kit boxes and gather the assembly instructions for the various components.

A complete kit will contain:

1. A Front Runner Mounting System specific to your vehicle
2. A Front Runner Rack Tray or Load Bar Slats

This document will guide you through the assembly of the mounting system and assist you in fitting the roof rack tray or load bars to your specific vehicle.

Please refer to the next page for a list of all the components, quantities and tools required.



IMPORTANT WARNING!

IT IS CRITICAL THAT ALL FRONT RUNNER PRODUCTS BE PROPERLY AND SECURELY ASSEMBLED AND ATTACHED TO YOUR VEHICLE. IMPROPER ATTACHMENT COULD RESULT IN AN AUTOMOBILE ACCIDENT, AND COULD CAUSE SERIOUS BODILY INJURY OR DEATH. YOU ARE RESPONSIBLE FOR ASSEMBLING AND SECURING ALL FRONT RUNNER PRODUCTS TO YOUR VEHICLE. CHECKING THE ATTACHMENTS PRIOR TO USE, AND PERIODICALLY INSPECTING THE PRODUCTS FOR ADJUSTMENT, WEAR AND DAMAGE. THEREFORE YOU MUST READ AND UNDERSTAND ALL OF THE INSTRUCTIONS AND PRECAUTIONS SUPPLIED WITH YOUR FRONT RUNNER PRODUCT PRIOR TO INSTALLATION OR USE. IF YOU DO NOT UNDERSTAND ALL OF THE INSTRUCTIONS AND CAUTIONS, OR IF YOU HAVE NO MECHANICAL EXPERIENCE AND ARE NOT THOROUGHLY FAMILIAR WITH THE INSTALLATION PROCEDURES, YOU SHOULD HAVE THE PRODUCT INSTALLED BY A PROFESSIONAL INSTALLER OR OTHER QUALIFIED PERSONNEL.

1

GET ORGANIZED

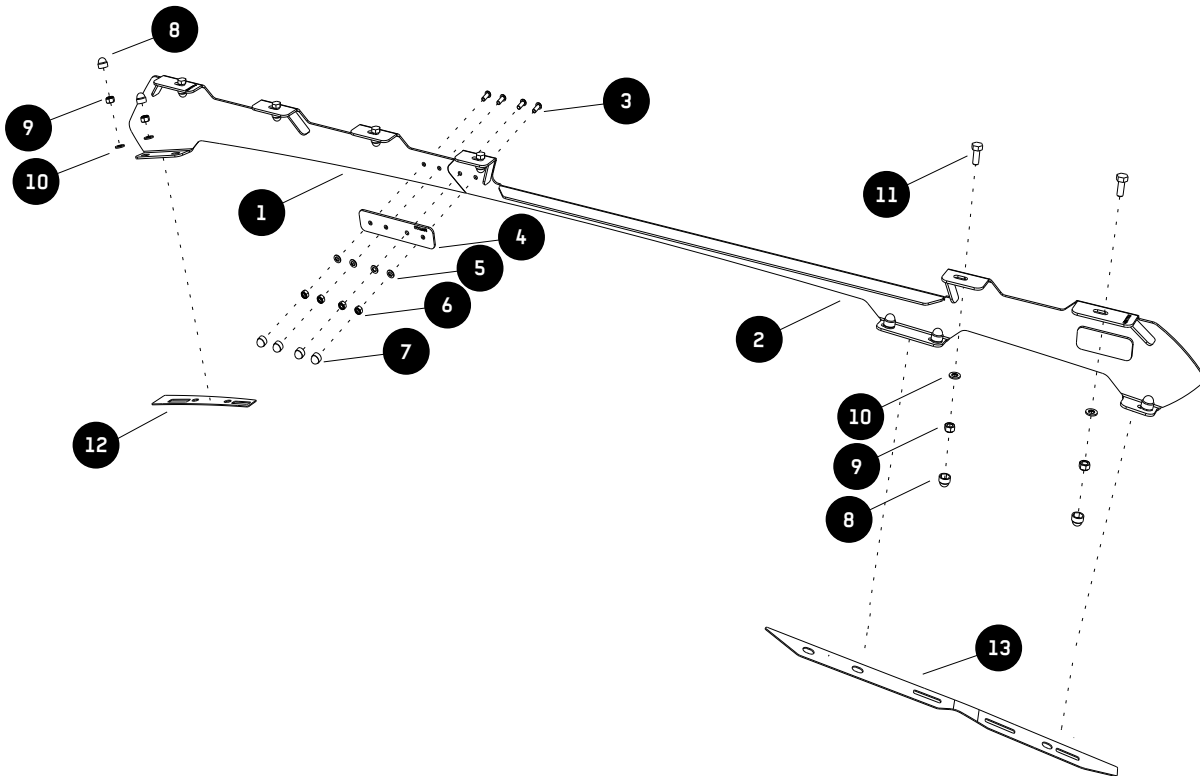
IN THE BOX

1	2 X	Front Foot Rail; 1LH + 1RH
2	2 X	Rear Foot Rail; 1LH + 1RH
3	8 X	M6 x 12 Bottom Head Bolt
4	2 X	Joiner Plate
5	8 X	M6 x 12 x 1SS Flat Washer
6	8 X	M6 Nyloc Nut
7	8 X	M6 Nut Cap
8	22 X	M8 Nut Cap
9	12 X	M8 Nyloc Nut
10	22 X	M8 x 16 x 1.6SS Flat Washer
11	12 X	M8 x 20 Hex Bolt
12	2 X	Front Ditch Cover Plate 1LH + 1RH
13	2 X	Rear Ditch Cover Plate 1LH + 1RH

TOOLS NEEDED



FIGURE 1.1



2**FIT AND SECURE**

2.1



Before starting the fitment you need to remove the front and rear Ditch Covers from the vehicle's roof using a medium flat screw driver.

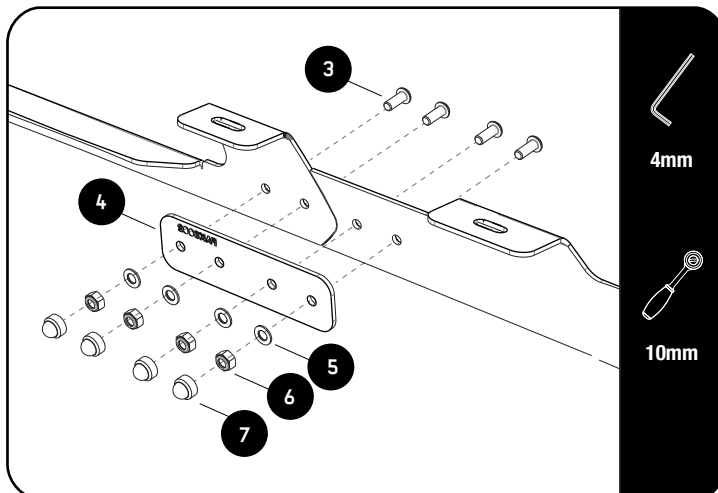
Take care not to damage the vehicle's paint work.

2.2



Place the Front and Rear Ditch Cover Plates (Items 15 and 16) into the cavities where you removed the front and rear ditch covers.

2.3



Join the Front LH and Rear LH Foot Rail (Items 1 & 2) with the Joiner Plate (Item 4) using M6 x 16 Bottom Head Bolts, M6 x 12 x 1SS Flat Washers and M6 Nyloc Nuts (Items 3, 5 & 6). Place M6 Nut Caps (Item 7) on all the Nyloc Nuts.

Repeat this for the Front RH and Rear RH Foot Rail.

2

FIT AND SECURE

2.4



Place the assembled Foot Rails from Step 2.3 over the studs in the vehicle's ditch. Loosely fit the Foot Rails using M8 x 16 x 1.6SS Flat Washers and M8 Nyloc Nuts (Items 9 & 10).

Push the Foot Rails all the way to the back of the vehicle before you fully tighten the Nyloc Nuts.

Place M8 Nut Caps (Item 8) over all the Nyloc Nuts.

3

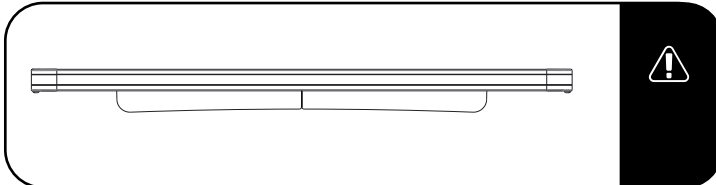
FIT AND SECURE

3.1

Refer to RRSUNI when assembling your Slimline II Tray.

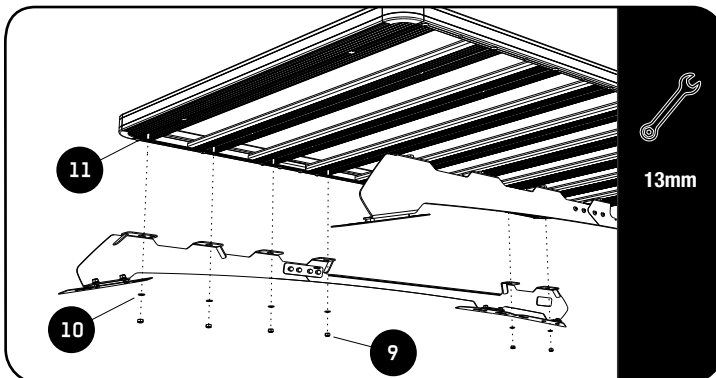


3.2



Make sure that the wind deflector is installed before you proceed to the next step.

3.3



Fit your roof rack to the Foot Rails using M8 x 20 Hex Bolts, M8 x 16 x 1.6SS Flat Washers and M8 Nyloc Nuts (Items 9, 10 & 11).

3.4

Center the rack and tighten fully. Use M8 nut caps (Items 10) to finish off the nuts.

4

COMPLETION

4.1



Congratulations! You did it. Take a step back and admire your work!

5

Front Runner will not be responsible for any damage caused by the failure to install the product according to these instructions. Please call us if you have any questions about the installation of this product.

6

INSTALL OTHER VEHICLE AND RACK ACCESSORIES

Now's the time to visit your favorite Front Runner Dealer in person or online.