



**FRONT RUNNER**  
VEHICLE OUTFITTERS

**FOOT RAIL**  
**TOYOTA HILUX REVO DC**

ENG

FATH002  
KRTH011T

# START HERE!

## READ ME FIRST

Don't be a hero and muscle through this without first reading these fitting instructions! Improper installation of this gear may void certain aspects of your warranty.

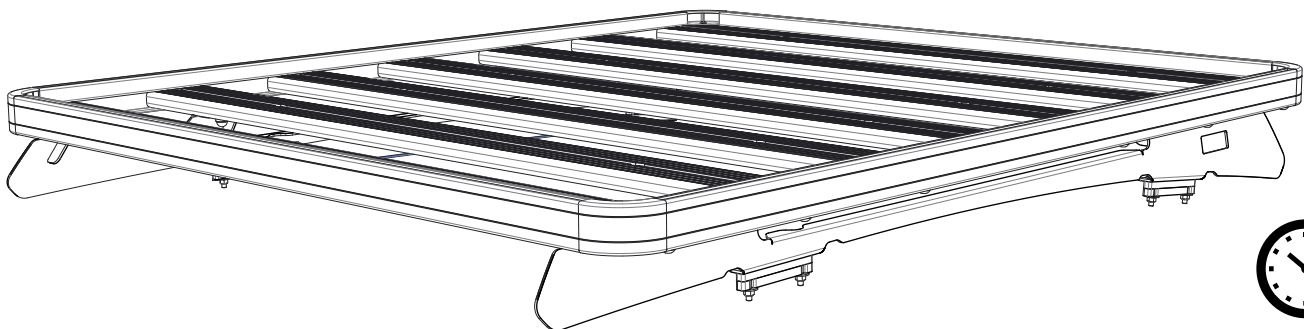
Before you begin, take a moment and open all your Front Runner rack kit boxes and gather the assembly instructions for the various components.

A complete kit will contain:

1. A Front Runner Mounting System specific to your vehicle
2. A Front Runner Rack Tray or Load Bar Slats

This document will guide you through the assembly of the mounting system and assist you in fitting the roof rack tray or load bars to your specific vehicle.

Please refer to the next page for a list of all the components, quantities and tools required.



### IMPORTANT WARNING!

IT IS CRITICAL THAT ALL FRONT RUNNER PRODUCTS BE PROPERLY AND SECURELY ASSEMBLED AND ATTACHED TO YOUR VEHICLE. IMPROPER ATTACHMENT COULD RESULT IN AN AUTOMOBILE ACCIDENT, AND COULD CAUSE SERIOUS BODILY INJURY OR DEATH. YOU ARE RESPONSIBLE FOR ASSEMBLING AND SECURING ALL FRONT RUNNER PRODUCTS TO YOUR VEHICLE. CHECKING THE ATTACHMENTS PRIOR TO USE, AND PERIODICALLY INSPECTING THE PRODUCTS FOR ADJUSTMENT, WEAR AND DAMAGE. THEREFORE YOU MUST READ AND UNDERSTAND ALL OF THE INSTRUCTIONS AND PRECAUTIONS SUPPLIED WITH YOUR FRONT RUNNER PRODUCT PRIOR TO INSTALLATION OR USE. IF YOU DO NOT UNDERSTAND ALL OF THE INSTRUCTIONS AND CAUTIONS, OR IF YOU HAVE NO MECHANICAL EXPERIENCE AND ARE NOT THOROUGHLY FAMILIAR WITH THE INSTALLATION PROCEDURES, YOU SHOULD HAVE THE PRODUCT INSTALLED BY A PROFESSIONAL INSTALLER OR OTHER QUALIFIED PERSONNEL.



# 1 GET ORGANIZED

## IN THE BOX

1	2 X	Foot Rail: 1xLH, 1xRH
2	8 X	M6 Nut Cap
3	8 X	M6x50 Hex Bolt
4	8 X	M6 Spring Washer
5	8 X	M6x19 Flat Washer
6	8 X	M8x20 Hex Bolt
7	4 X	M6 Nut Plate
8	8 X	M8x16 Flat Washer
9	8 X	M8 Nyloc Nut
10	8 X	M8 Nut Cap
11	1 X	Template
12	12 X	Foot Rail Sealing Kit (RRAC082)

## TOOLS NEEDED

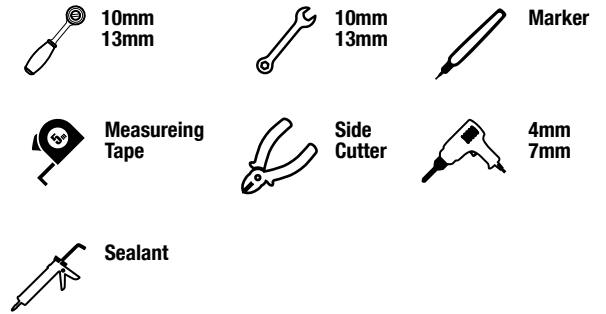
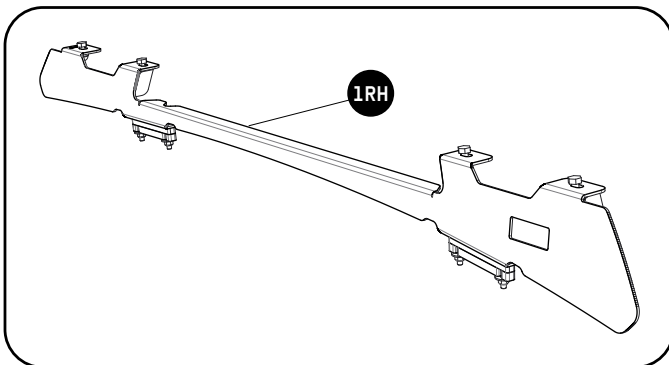
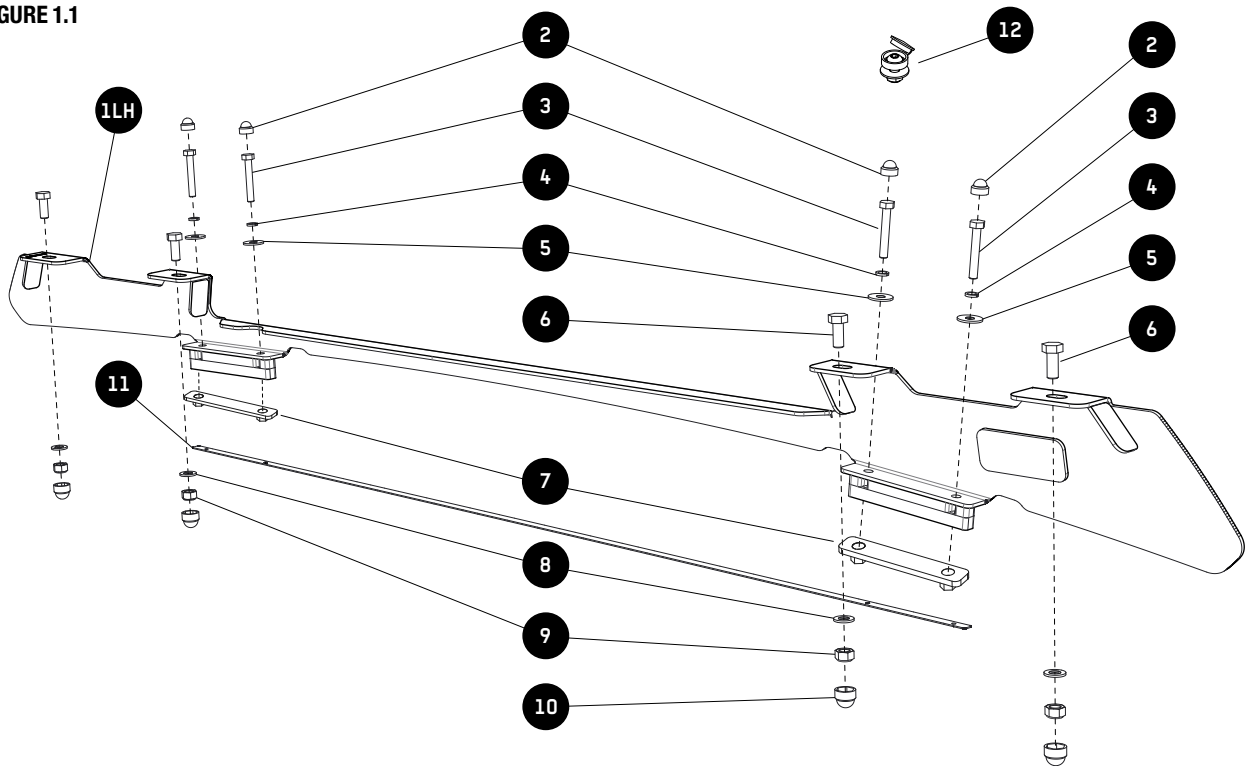
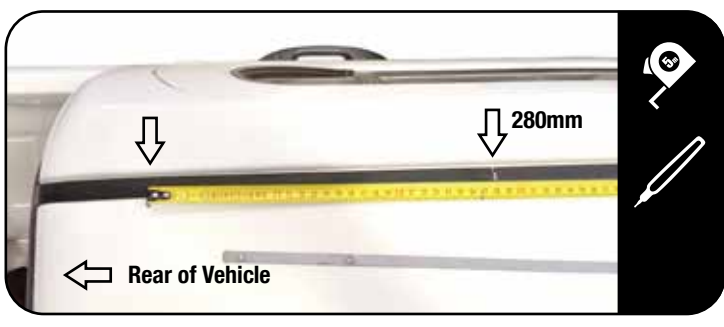


FIGURE 1.1



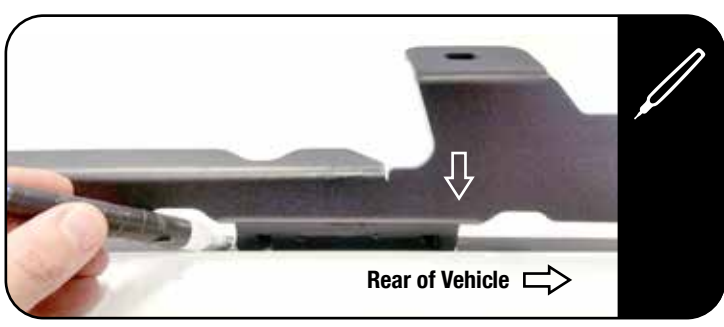
## 2 FIT AND SECURE

2.1



From the Tool Mark on the Ditch Moulding, measure 280mm toward the Front of the Vehicle. Make a Line with a marker.

2.2



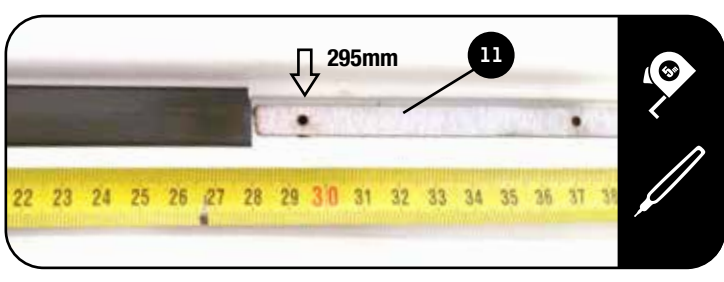
Place the Foot Rail on the Ditch Moulding, with the heel of the Foot Rail against the line made in Step 2.1. Mark the remaining foot positions.

2.3



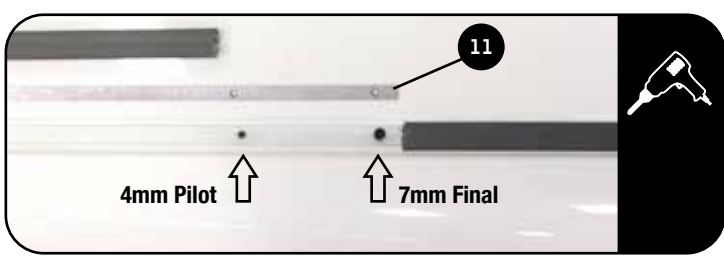
Lift Moulding and Trim out each section. Where the Feet will sit. (2 per Foot Rail)

2.4



Measure 295mm from the Tool Mark on the Ditch Moulding and make a Mark in the Ditch. Place the Template in the Ditch, Aligning the first hole with the mark you just made. Mark all 4 Holes Clearly.

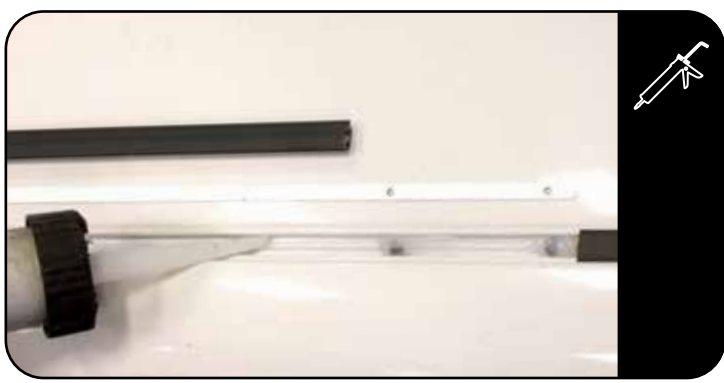
2.5



Drill a 4mm Pilot hole on the 8 markings made (4 per side). Re Drill the holes using a 7mm Drill.

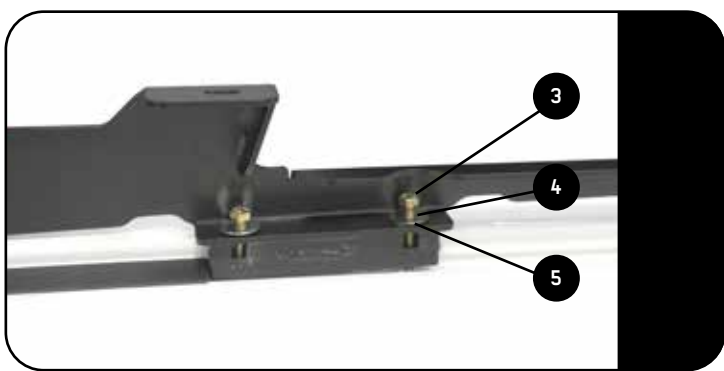
## 2 FIT AND SECURE

2.6



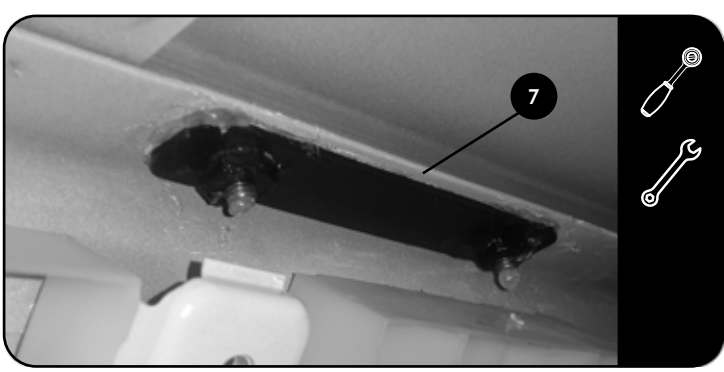
Apply Anti Rust and Sealent to the Holes and Ditch

2.7



Use Items 3, 4, 5 to fit the Foot Rails.

2.8



Drop the interior Roof Lining and use Items 7 together with items 3,4 and 5 to secure the Foot Rail.

Place a bead of silicon on the four nut plates (item 7). This is to bond the nut plates in place.



In future the Roof Rack together with the Foot Rail can be removed without dropping the roof lining.

Remove the Foot Rails and seal the holes by using Item 12 the Foot Rail Sealing Kit (RRAC082).

2.9



Secure and Fully Tighten Foot Rails

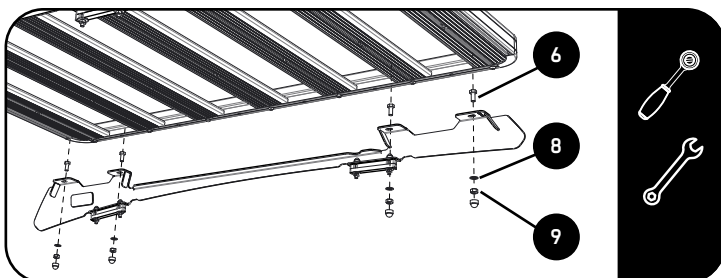
### 3 FIT AND SECURE

3.1

Refer to RRSTUNI when assembling your Slimline II Tray.  
See Step 3.2 You will need to insert Item 6 into the Front Combined Slat before fitting the Wind Deflector.



3.2



Use Item 6, 8, 9 to Fit and Secure Your Roof Rack to the Foot Rails.

3.2



Take a moment to centre the Rack and Fully Tighten. Use Items 2 and 10 to Finish off the Bolts.

Refit Interior Roof Lining.

### 4 COMPLETION

4.1



Congratulations you have completed your installation, take a step back and admire your work.

### 5 INSTALL OTHER VEHICLE AND RACK ACCESSORIES

Now's the time to visit your favorite Front Runner Dealer in person or online.