

LGP SERIES



LGP20-H (08385200045) product + packaging shown.

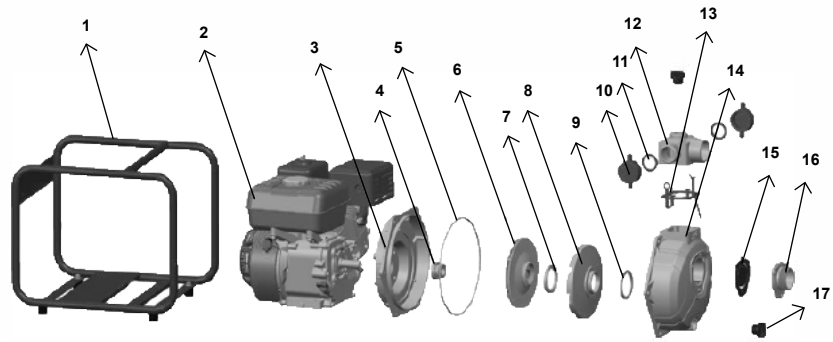
Single cylinder, 4-stroke, air-cooled engine.

- New unique design with ergonomic feature.
- Portable and compact pump frame.
- High quality motor with excellent performance and long service life.
- Impeller designed with high efficiency hydraulic system.
- Low fuel consumption.
- Transfer clean water with liquid temperature between 0°C and 40°C.
- Applicable in water supply and drainage for factories, mines, municipal facilities as well as field irrigation.

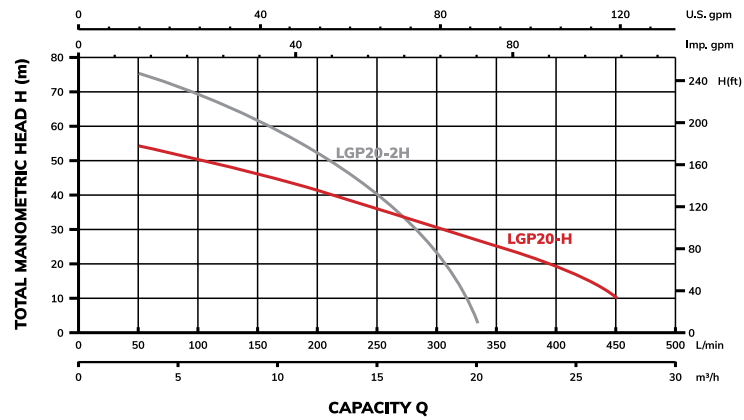
- **Max. suction:** 6m/120s.
- **Max. power:** 6.5HP
- **Inlet/Outlet:** 50mm/ 2x38mm + 1x50mm
- **Rated speed:** 3600rpm
- **Displacement:** 196cc.
- **Anti-rust cast iron diffuser.**

MATERIALS

No.	Part	Material
1	Frame	Steel
2	Engine	
3	Bracket	Aluminium
4	Mechanical seal	Carbon/Ceramic
5	O-ring	NBR
6	Impeller	Aluminium
7	Seal ring	NBR
8	Diffuser	HT200
9	Seal ring	NBR
10	Pipe blanking cap	PP
11	Seal ring	NBR
12	Outlet	Aluminium
13	Gasket	NBR
14	Pump body	Aluminium
15	Non-return valve	NBR
16	Inlet	Aluminium
17	Filling plug	PA6



HYDRAULIC PERFORMANCE CURVES

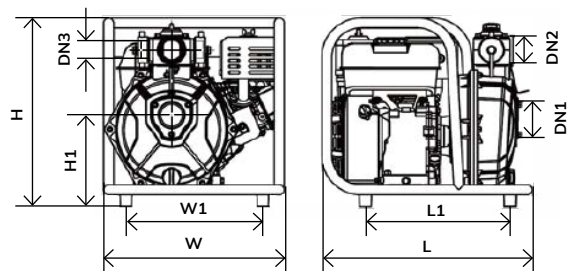


TECHNICAL DATA

Model	Power	Q (m³/h)	0	5	10	15	20	25	30
	HP	Q (l/min)	0	83.3	166.7	250	333.3	416.7	500
LGP20-H	6.5	H (m)	55	52	44.3	36	27	17	2.5
LGP20-2H	6.5		80	77	63	42	5	-	-

DIMENSIONS

Model	DN1	DN2	2x DN3	L (mm)	W (mm)	H (mm)	L1 (mm)	W1 (mm)	H1 (mm)
LGP20-H	2"	2"	1.5"	463	397	412	318	300	200
LGP20-2H	2"	2"	1.5"	463	397	412	318	300	200



PACKAGE INFORMATION

Model	GW (kg)	L (mm)	W (mm)	H (mm)	QTY (PCS/20'TEU)
LGP20-H	22.22	470	412	432	340
LGP20-2H	22.24	470	412	432	340

