



FRONT RUNNER
VEHICLE OUTFITTERS

UNIVERSAL TRACK
1150MM - 45.2 INCH

ENG

TRCA003

START HERE!

READ ME FIRST

Don't be a hero and muscle through this without first reading these fitting instructions! Improper installation of this gear may void certain aspects of your warranty.

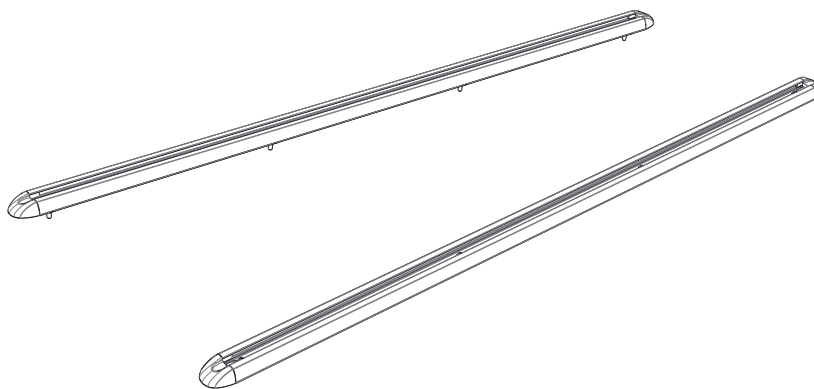
Before you begin, take a moment and open all your Front Runner rack kit boxes and gather the assembly instructions for the various components.

A complete kit will contain:

1. A Front Runner Mounting System specific to your vehicle
2. A Front Runner Rack Tray or Load Bar Slats

This document will guide you through the assembly of the mounting system and assist you in fitting the roof rack tray or load bars to your specific vehicle.

Please refer to the next page for a list of all the components, quantities and tools required.



IMPORTANT WARNING!

FRONT RUNNER CAN NOT RECOMMEND A MAXIMUM LOAD CARRYING CAPACITY. PLEASE REFER TO YOUR VEHICLE MANUFACTURER'S RECOMMENDATIONS. IT IS CRITICAL THAT ALL FRONT RUNNER PRODUCTS BE PROPERLY AND SECURELY ASSEMBLED AND ATTACHED TO YOUR VEHICLE. IMPROPER ATTACHMENT COULD RESULT IN AN AUTOMOBILE ACCIDENT, AND COULD CAUSE SERIOUS BODILY INJURY OR DEATH. YOU ARE RESPONSIBLE FOR ASSEMBLING AND SECURING ALL FRONT RUNNER PRODUCTS TO YOUR VEHICLE. CHECKING THE ATTACHMENTS PRIOR TO USE, AND PERIODICALLY INSPECTING THE PRODUCTS FOR ADJUSTMENT, WEAR AND DAMAGE. THEREFORE YOU MUST READ AND UNDERSTAND ALL OF THE INSTRUCTIONS AND PRECAUTIONS SUPPLIED WITH YOUR FRONT RUNNER PRODUCT PRIOR TO INSTALLATION OR USE. IF YOU DO NOT UNDERSTAND ALL OF THE INSTRUCTIONS AND CAUTIONS, OR IF YOU HAVE NO MECHANICAL EXPERIENCE AND ARE NOT THOROUGHLY FAMILIAR WITH THE INSTALLATION PROCEDURES, YOU SHOULD HAVE THE PRODUCT INSTALLED BY A PROFESSIONAL INSTALLER OR OTHER QUALIFIED PERSONNEL.

1

GET ORGANIZED

Here is what you are looking at for TRCA003

IN THE BOX

| | | |
|----|-----|-------------------------------------|
| 1 | 8 X | M6 x 30 Button Head Bolt |
| 2 | 8 X | M6 x 20 Button Head Bolt |
| 3 | 4 X | Track End Cap |
| 4 | 2 X | 1150mm Canopy Track |
| 5 | 2 X | 1150mm Protective Trim |
| 6 | 8 X | M6x30x1 Flat Washer |
| 7 | 8 X | M6x12x1 Stainless Steel Flat Washer |
| 8 | 8 X | M6 Nyloc Hex Nut |
| 9 | 8 X | M6 Nut Cap |
| 10 | 8 X | M6 Clinch Nut (Alternative Fitment) |

TOOLS NEEDED

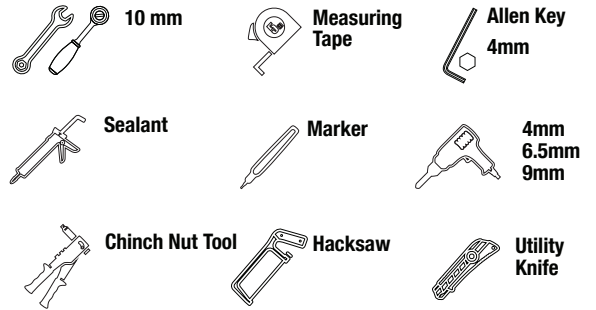
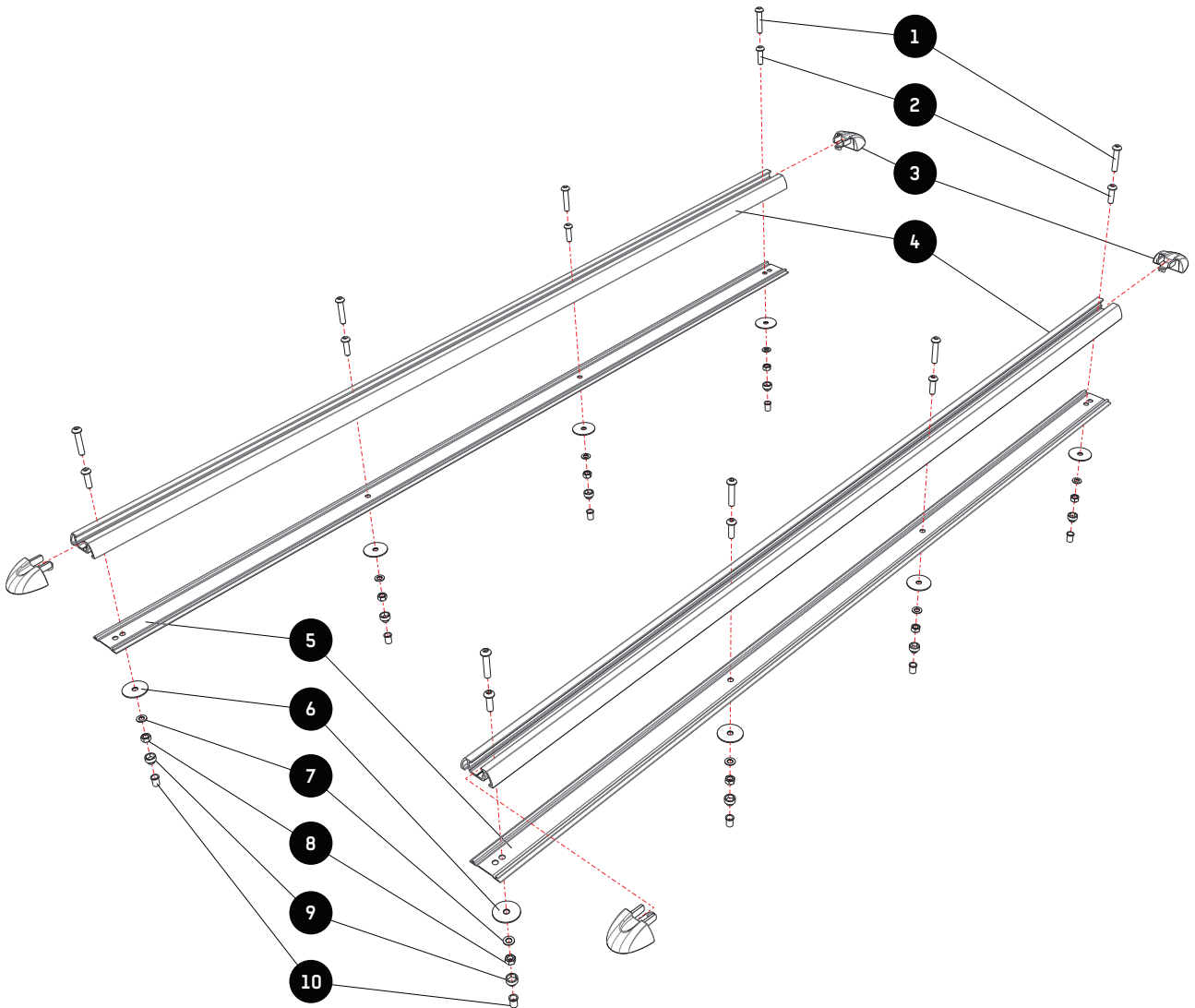


FIGURE 1.1



2

FIT AND SECURE

2.1

Remove the canopie's roof rails if fitted. Determine the best possible position for mounting the tracks. Take care not to drill into or through any reinforcements.



2.2

Measure and trim the tracks to the desired length.



2.3

Once you are happy with the placement of the track, mark all the holes using a suitable marking pen.



2.4

Drill a 4mm pilot hole on all the marks you have made. If you are using the M6 Nyloc nuts (Item 8) for the fitment, open the pilot holes to 6.5mm. Always take care when drilling.



2.5

When using the Clinch Nuts (item 10) you will need a Clinch nut Tool to crimp and secure the Clinch nuts.



2.6



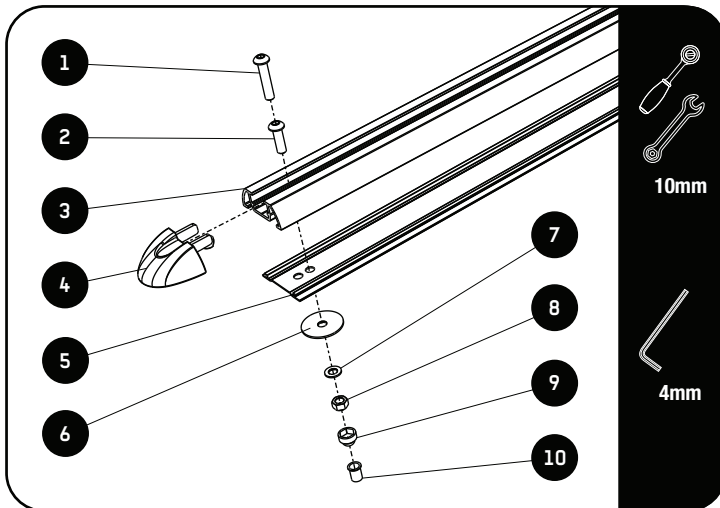
Should any of the mount points be inaccessible to use nuts, open the hole to 9.5mm and use the Clinch Nut (Item 10). **ONLY TO BE USED WITH METAL CANOPY / CAPS AND TRAILER TOPS.**

2.7

Apply a bead of suitable sealant to each hole drilled in step 2.4.



2.8



Fit and secure the tracks with a combination of Items 1/2, 6, 7, 8 & 10.

Depending on the thickness of the material you are bolting through you can use either M6x20 Button Head or M6x30 Button Head (Items 1 or 2). The bolt needs to go through the Nyloc Nut (Item 8).

Install the End-Caps and Protective Trim (Items 4 & 5) before you do the final fitment of the tracks.

Check that all the fasteners are fully tightened.

Place M6 nut caps (item 9) on all the M6 Nyloc Nuts (item 8) to finish of the fitment .

3

COMPLETION

Congratulations. You did it. Take a step back and admire your work!

4

INSTALL OTHER VEHICLE AND RACK ACCESSORIES

Now's the time to visit your favorite Front Runner Dealer in person or Online.