

0

1

2

3

4

5

6

7

8

9

THIS ELECTRICAL DRAWING CONSISTS OF THE FOLLOWING SHEETS

Description

SHEET	Description
IN	INDEX
LI	ELECTRICAL COMPONENTS LIBRARY
01	ENGINE CONNECTIONS FOR VERSIONS WITH ISOMETER
02	ENGINE CONNECTIONS FOR VERSIONS WITH CONN
03	POWER CONNECTIONS FOR VERSION SINGLE PHASE WITH DPP
04	POWER CONNECTIONS FOR VERSION SINGLE PHASE WITH ISOMETER
05	POWER CONNECTIONS FOR VERSION THREE PHASE WITH DPP
06	POWER CONNECTIONS FOR VERSION THREE PHASE WITH ISOMETER
07	ENGINE AND POWER CONNECTIONS FOR UK DUAL VOLTAGE VERSION
08	ENGINE AND POWER CONNECTIONS FOR VERSION SINGLE PHASE 60HZ

**WIRING DIAGRAM FOR P9000  
INDEX**

**GE0492**

Date: 10/04/2012

Pag: IN

Aut: L.Pratelli

Rev04

15/07/2013

Standardized wires to multimeter (BN-GR) in three phase version (pag 5-6) / L.P.

Rev03

10/05/2013

Changed wires section and disposition in order to have a better and easler production - pag 8 / L.P.

Rev02

28/09/2012

Added 60 Hz wiring diagram version pag.8

Rev01

13/07/2012

Added wiring diagram version UK dual voltage pag.7

Rev08

////

////

Rev07

////

////

Rev06

////

////

Rev05

////

////

0	1	2	3	4	5	6	7	8	9		
	GENERADOR GENERATOR GENERATORE GENERATOR 發電機		ALTERNADOR CARGA BATERIA BATTERY CHARGER GENERATORE CARICO BATERIA CHARGEUR BATTERIE BATTERIE CHARGER 電池充電器		CONTACTO TERMICO THERMAL SWITCH SCATTO TERMICO DECLENCHEUR THERMIQUE THERMAL SWITCH 保溫開關		CONMUTADOR SWITCH SELETTORE COMBINAITEUR SWITCH 開關		TRANSFORMADOR TRANSFORMER TRANSFORMATORE TRANSFORMATEUR TRANSFORMER 變壓器		TRANSFORMADOR DE CORRIENTE CURRENT TRANSFORMET TRANSFORMATORE DI CORRENTE TRANSFORMATEUR DE COURANT AKTUELLE TRANSFORMET 電流變壓器
	BATERIA BATTERY BATTERIA BATTERIE BATTERIE 電池		TIERRA EARTH TERRA TERRE ERDE 地線		CONTACTO DE POTENCIA POWER SWITCH CONTATTO DI POTENZA CONTATORE CONTACT DI PUISSANCE POWER SWITCH 電力開關		BLOQUEO MECANICO MECHANICAL BLOCK INTERBLOCCO MECANICO BLOQUE MECANIQUE MECHANISCHE BLOCK 物理限制裝置		PROTECCIÓN TERMICA THERMAL GUARD PROTEZIONE TERMICA THERMIQUE EN GARDE THERMISCHE GUARD 保溫裝置		RESISTENCIA RESISTOR RESISTENZA RESISTANCE RESISTOR 電阻
	GENERATOR EARTH MASSA GENERATORE MASSE GENERATEUR GENERATOR ERDE 發電機地線		CONEXIÓN CONNECTION CONNESSIONE JOINTAGE ANSCHLUSS 連接		BORNERO TERMINAL MORSETTO BORNE TERMINAL 接頭板		FUSIBLE FUSE FUSIBILE FUSIBLE SICHERUNG 保險絲		PRECALENTAMIENTO PRE-HEATING SCALDIGLIA PRE - CHAUFFAGE PRE - HEIZUNG 加熱器		TRANSDUCTOR DE NIVEL LEVEL TRANSDUCER TRASDUTTORE DI LEVELLO TRANSDUCTEUR DE NIVEAU LEVEL TRANSDUCER 燃料水平變換器
	ENCHUFE PLUG PRESA PLOT PLUG		ACTUADOR ACTUATOR ATTUATORE ACTIONNEUR ANTRIEB 促動器		ELECTROVALVULA ELECTRO VALVE ELETTRVALVOLA ELECTRO-VANNE ELEKTRO VENTIL 電子閥		SENSOR DE VELOCIDAD SPEED SENSOR PICK-UP SENSEUR DE VITESSE SPEED SENSOR 速度感應器		TRANSDUCTOR DE TEMPERATURA TEMPERATURE TRANSDUCER TRASDUTTORE DI TEMPERATURA TRANSDUCTEUR DE TEMPERAUTE TEMPERATUR TRANSDUCER 溫度變換器		TRASDUCTOR DE PRESION PRESSURE TRANSDUCER TRASDUTTORE DI PRESSIONE TRANSDUCTEUR DE PRESSION PRESSURE TRANSDUCER 壓力變換器
	BOMBA PUMP POMPA POMPE PUMP 泵		ALARMA ALARM ALLARME SIRENE ALARME 警報器		DIODO DIODE DIODE DIODE DIODE 兩極真空管		LED LED LED LED LED 發光二極管		MOTOR DE ARRANQUE STARTER MOTOR MOTORINO D'AVVIAMENTO MOTEUR DE DEPART STARTER MOTOR 起動馬達		TOROIDAL TOROID TORE TOROIDE TOROID
	CABLE ARMADO SHIELDED CABLE CAVO SCHEMATO CABLE AVEC BLINDAGE SHIELDED CABLE 受保護的電纜		CONTACTO NA NA CONTACT CONTATTO NA CONTACT NA NA KONTAKT N/A 接觸器		BOBINA RELÉ-CONTACTOR RELAY-CONTACTOR COIL BOBINA RELÉ-CONTATTORE BOBINE RELAIS-CONTACTEUR RELAIS SPULE SCHUTZ 繼電器		AMPERIMETRO AMPMETER AMPEROMETRO AMPEREMETRE AMPMETER 電流計		PIN PIN PIN PIN PIN 針		CONTINUA EN PAGINA X COLUMNA Y CONTINUES IN PAGE X, COLUMN Y CONTINUA NELLA PAG. X, Y COLONNA CONTINUE A LA PAGE X, Y COLONNE WEITERHIN AUF DER SEITEX, Y SPALTE 繼續在一種U+201C第十欄y
	CONTACTO NC NC CONTACT CONTATTO NC CONTACT NC NC KONTAKT NC 接觸器		CONTACTO CON CAMBIO EXCHANGE CONTACT CONTATTO IN SCAMBIO CONTACT DE ECHANGE AUSTAUSCH KONTAKT 調換接觸器		VOLTIMETRO VOLTMETER VOLTMETRO VOLTMETRE VOLTMETER 電壓計		FRECUENCIMETRO FREQUENCYMETER FREQUENZIMETRO FREQUENCYMETER FREQUENCYMETER 頻率計		RED MAINS RETTE		NIVEL DE COMBUSTIBLE FUEL LEVEL GAUGE LIVELLO DI GASSOLEO INDICATERUR DE NIVEAU DE CARBURANT KRAFTSTOFF EBENE 燃油液位計
	CONTACTOS CON FLOTADOR FLDAT CONTACT CONTATTO CON GALLEGIANTE CONTACT DE FLUTTEUR FLDAT KONTAKT 浮動接觸器		CONTACTO DE PRESIÓN PRESSURE CONTACT CONTATTO PRESSOSTATO PRESSOSTAT DRUCK KONTAKT 壓力接觸器		CUENTAHORAS HOURS METER CONTADRE COMPTE HEURES HOURS METER 計時器		CUENTAVUELTAS REVOLUTION COUNTER CONTAGIRI COMPTE-TOURS REVOLUTION COUNTER 旋轉計算器		CARGA LOAD CARICO		CONMUTADOR VOLTIMETRICO VOLTAGE SWITCH
	THERMAL CONTACT TERMOSTATO CONTACT DE TEMPERATURE THERMISCHE KONTAKT 保溫接觸器		CONTACTO DE FLUJO FLOW CONTACT FLUSSOSTATO CONTACT DE FLUX FLOW KONTAKT 流量接觸器		MANOMETRO ACEITE OIL GAUGE MANOMETRO OLIO MANOMETRE HUILE OIL GAUGE 油錶		MANOMETRO TPA. AGUA TEMPERATURE GAUGE TERMOSTATO ACQUA THERMOMETRE EAU TEMPERATUR GAUGE 溫度錶		CONMUTADOR AMPERIMETRICO AMPERIMETRIC SWITCH		CONTADOR KW/H KW/h COUNTER

**WIRING DIAGRAM FOR P9000  
LIBRARY**

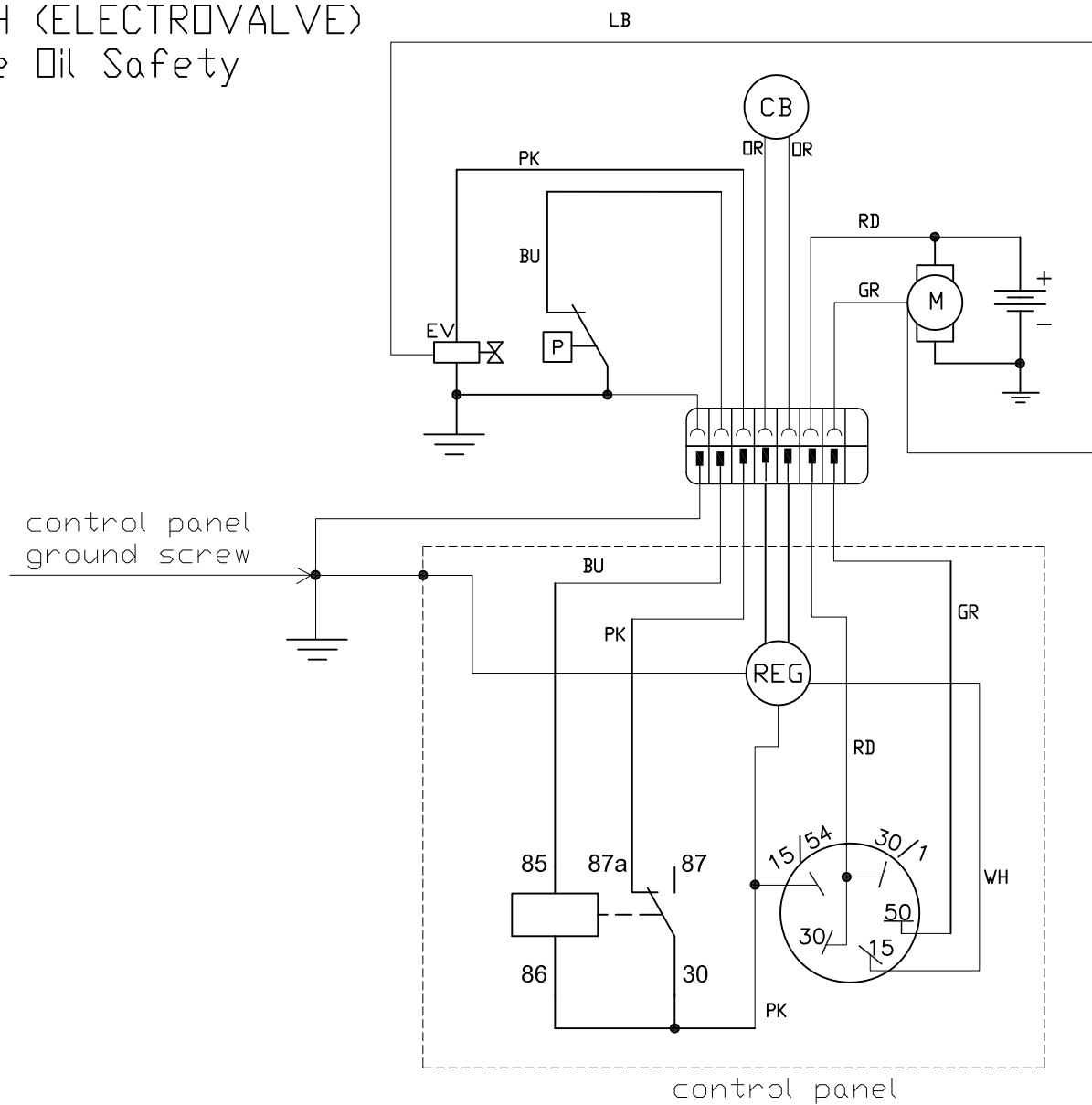
**GE0492**

Date: 10/04/2012

Pag: LI

Rev04	15/07/2013	Standardized wires to multimeter (BN+GR) in three phase version (pag 5-6) / L.P.	Rev08	////	////
Rev03	10/05/2013	Changed wires section and disposition in order to have a better and easler production - pag 8 / L.P.	Rev07	////	////
Rev02	28/09/2012	Added 60 Hz wiring diagram version pag.8	Rev06	////	////
Rev01	13/07/2012	Added wiring diagram version UK dual voltage pag.7	Rev05	////	////

# KEY SWITCH (ELECTROVALVE) With Active Oil Safety



RIF. REF.	COLORE	COLOR
BK	NERO	BLACK
WH	BIANCO	WHITE
RD	ROSSO	RED
YE	GIALLO	YELLOW
BN	MARRONE	BROWN
GY	GRIGIO	GRAY
OG	ARANCIONE	ORANGE
BU	BLU	BLUE
GN	VERDE	GREEN
PK	ROSA	PINK
VT	VIOLA	VIOLET
LB	CELESTE	LIGHTBLUE

## WIRING DIAGRAM FOR P9000 ENGINE CONNECTIONS FOR VERSIONS WITH ISOMETER

### GE0492

Date: 10/04/2012

Pag: 1

Autor: L.Pratelli

Rev04 15/07/2013 Standardized wires to multimeter (BN-GR) in three phase version (pag 5-6) / L.P.

Rev03 10/05/2013 Changed wires section and disposition in order to have a better and easler production - pag 8 / L.P.

Rev02 28/09/2012 Added 60 Hz wiring diagram version pag.8

Rev01 13/07/2012 Added wiring diagram version UK dual voltage pag.7

Rev08

////

////

Rev07

////

////

Rev06

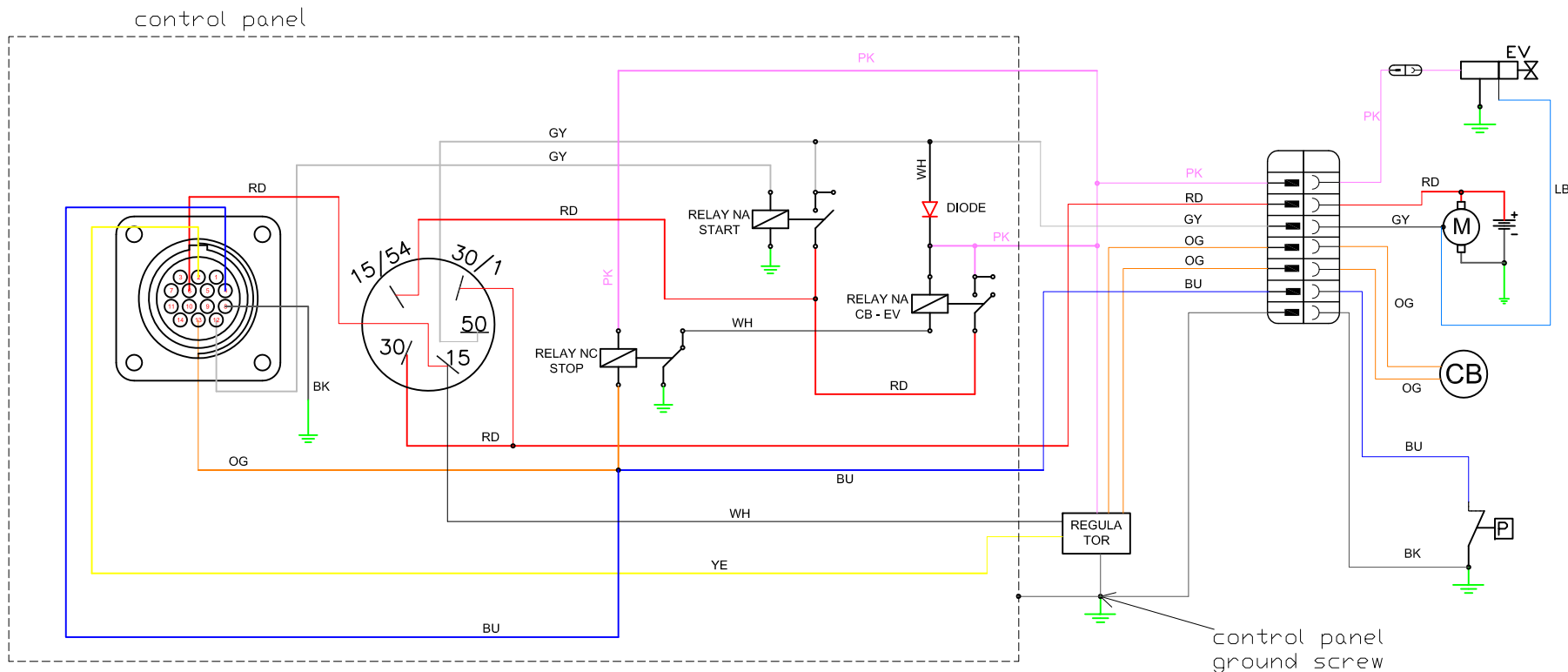
////

////

Rev05

////

////



CONN. 14 POLES	AMF	RSS		COLOUR
1	--	--	--	--
2	D+ (12V >	--	IN	12V YELLOW
3	+ B x (EV or BC SUPPLY)	OUT	--	12V PINK
4	OIL ALARM	IN	--	0V BLUE
5	--	--	IN	230V BROWN
6	+ BATT. (UNDER KEY SWITCH >	--	IN	12V RED
7	--	--	--	--
8	- BATTERY	IN	IN	0V BLACK
9	ALARM FUEL	IN	--	0V WHITE
10	ALARM TEMPERATURE	IN	--	0V YELLOW
11	CHOKE	OUT	OUT	12V PINK
12	START	OUT	OUT	12V GREY
13	STOP	OUT	OUT	0V ORANGE
14	--	--	--	--

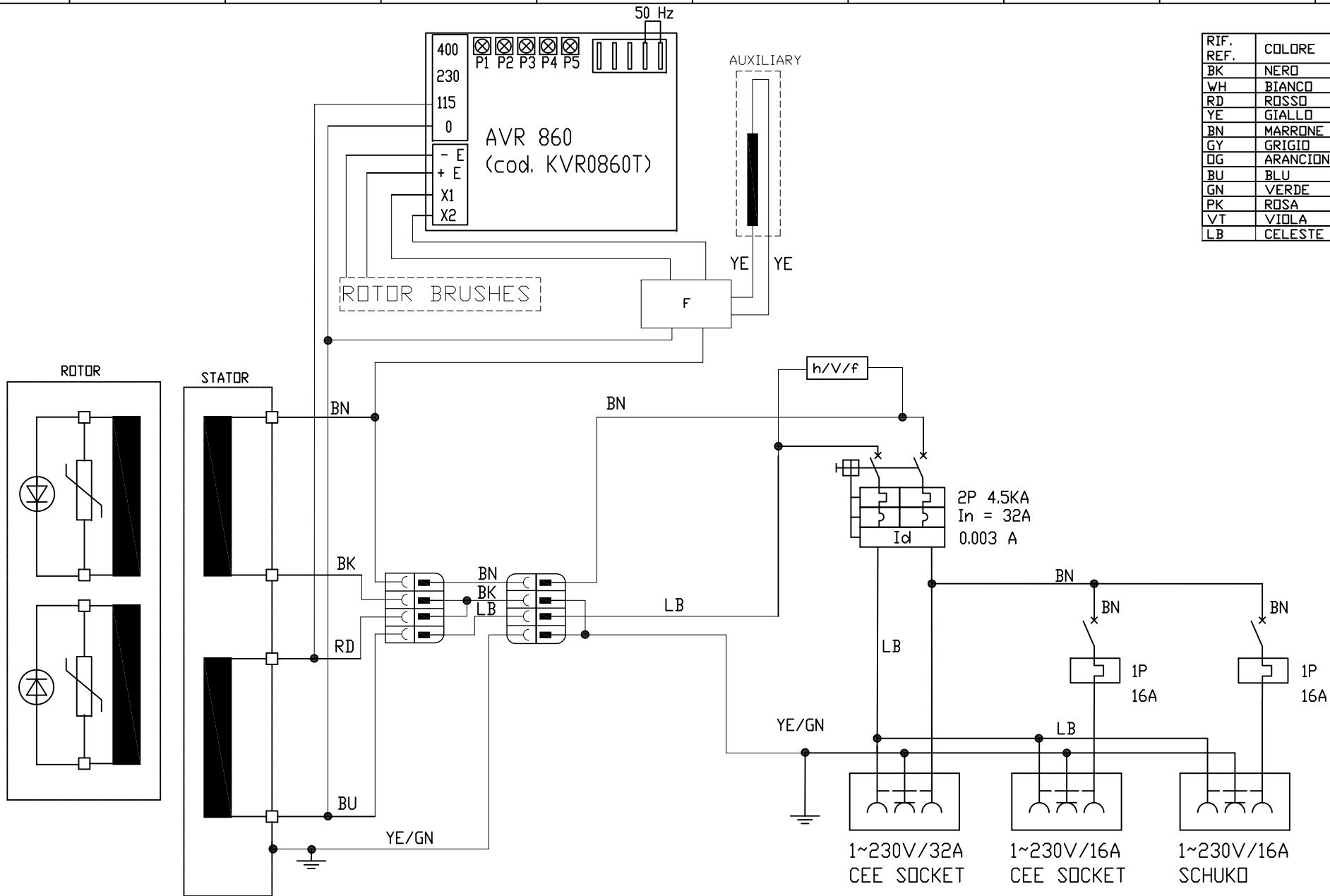
RIF. REF.	COLORE	COLOR
BK	NERO	BLACK
WH	BIANCO	WHITE
RD	ROSSO	RED
YE	GIALLO	YELLOW
BN	MARRONE	BROWN
GY	GRIGIO	GRAY
OG	ARANCIONE	ORANGE
BU	BLU	BLUE
GN	VERDE	GREEN
PK	ROSA	PINK
VT	VIOLA	VIOLET
LB	CELESTE	LIGHTBLUE

**WIRING DIAGRAM FOR P9000 ENGINE CONNECTIONS FOR VERSIONS WITH CONN**

**GE0492**

Date: 10/04/2012    Pag: 2  
 Autor: L.Pratelli

Rev04	15/07/2013	Standardized wires to multimeter (BN=GR) in three phase version (pag 5-6) / L.P.	Rev08	////	////
Rev03	10/05/2013	Changed wires section and disposition in order to have a better and easler production = pag 8 / L.P.	Rev07	////	////
Rev02	28/09/2012	Added 60 Hz wiring diagram version pag.8	Rev06	////	////
Rev01	13/07/2012	Added wiring diagram version UK dual voltage pag.7	Rev05	////	////



RIF. REF.	COLORE	COLOR
BK	NERO	BLACK
WH	BIANCO	WHITE
RD	ROSSO	RED
YE	GIALLO	YELLOW
BN	MARRONE	BROWN
GY	GRIGIO	GRAY
OG	ARANCIONE	ORANGE
BU	BLU	BLUE
GN	VERDE	GREEN
PK	ROSA	PINK
VT	VIOLEA	VIOLET
LB	CELESTE	LIGHTBLUE

**WIRING DIAGRAM FOR P900**

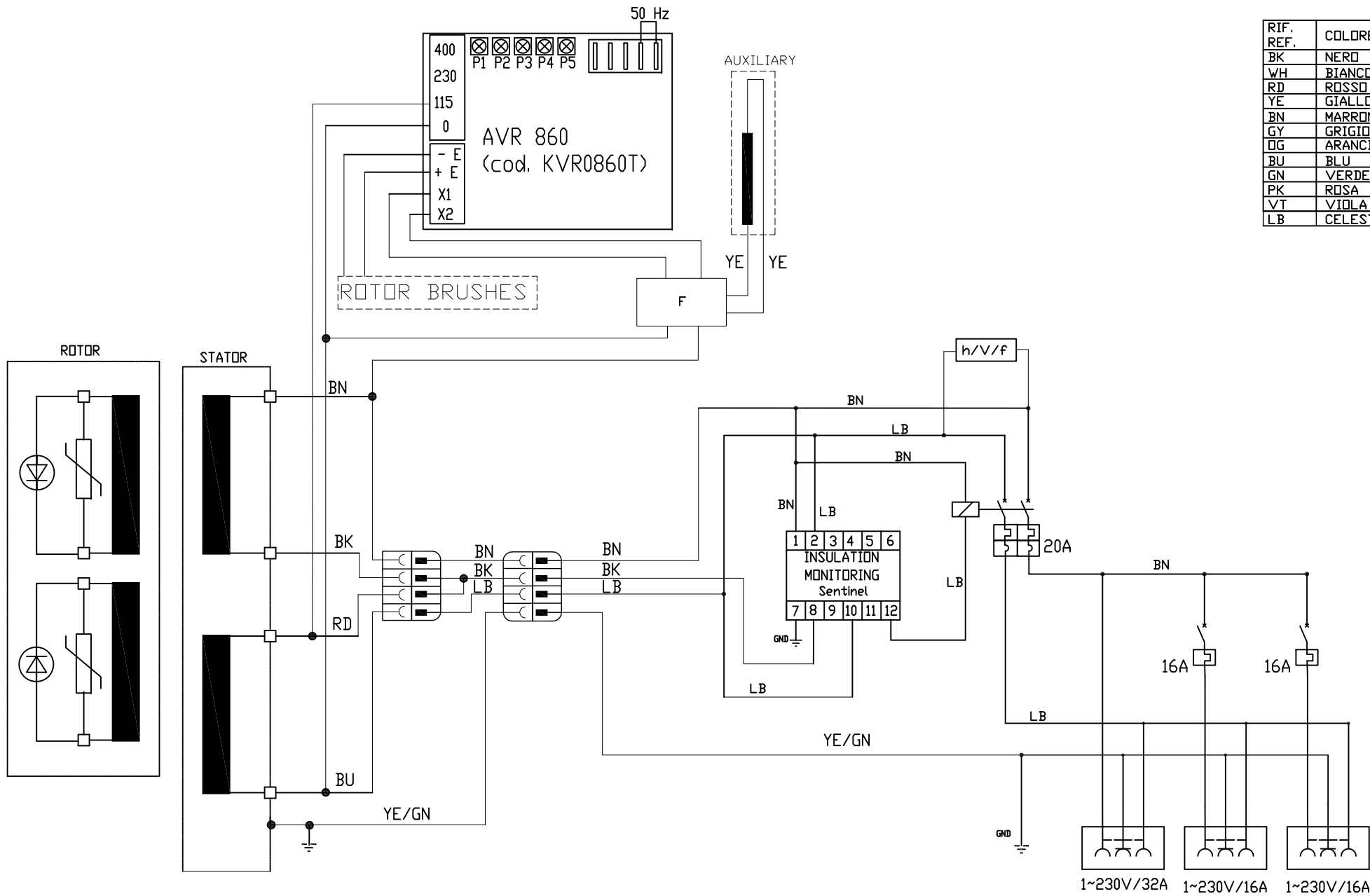
**POWER CONNECTIONS FOR VERSION SINGLE PHASE WITH DPP**

**GE0492**

Date: 10/04/2012  
 Autor: L.Pratelli

Rev04	15/07/2013	Standardized wires to multimeter (BN-GN) in three phase version (pag 5-6) / L.P.
Rev03	10/05/2013	Changed wires section and disposition in order to have a better and easier production - pag 8 / L.P.
Rev02	28/09/2012	Added 60 Hz wiring diagram version pag.8
Rev01	13/07/2012	Added wiring diagram version UK dual voltage pag.7

Rev08	////	////
Rev07	////	////
Rev06	////	////
Rev05	////	////



RIF. REF.	COLORE	COLOR
BK	NERO	BLACK
WH	BIANCO	WHITE
RD	ROSSO	RED
YE	GIALLO	YELLOW
BN	MARRONE	BROWN
GY	GRIGIO	GRAY
OG	ARANCIONE	ORANGE
BU	BLU	BLUE
GN	VERDE	GREEN
PK	ROSA	PINK
VT	VIOLA	VIOLET
LB	CELESTE	LIGHTBLUE

**WIRING DIAGRAM FOR P900**

**POWER CONNECTIONS FOR VERSION SINGLE PHASE WITH ISOMETER**

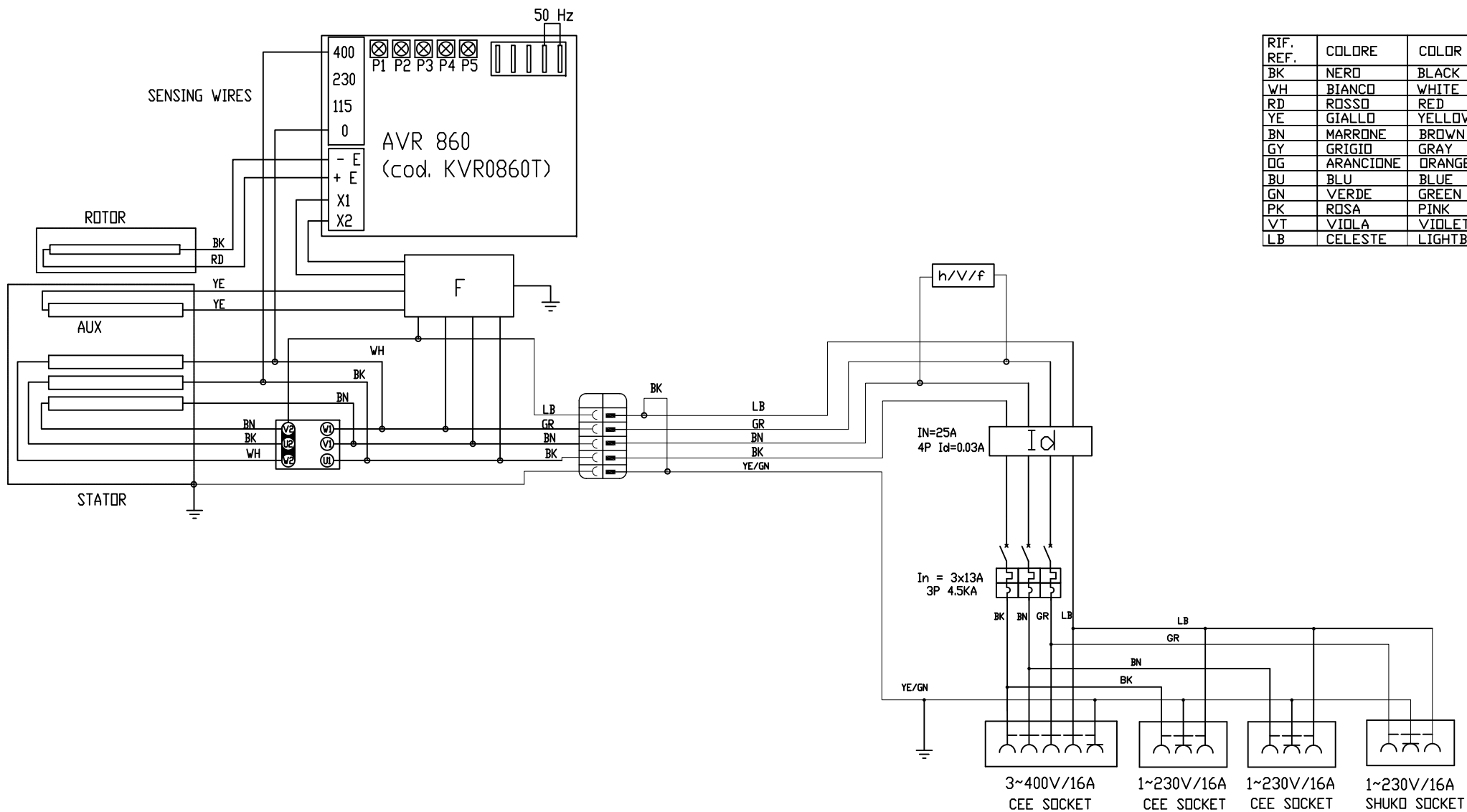
**GE0492**

Date: 10/04/2012

Pag: 4

Autor: L.Pratelli

Rev04	15/07/2013	Standardized wires to multimeter (BN-GN) in three phase version (pag 5-6) / L.P.	Rev08	////	////
Rev03	10/05/2013	Changed wires section and disposition in order to have a better and easler production - pag 8 / L.P.	Rev07	////	////
Rev02	28/09/2012	Added 60 Hz wiring diagram version pag.8	Rev06	////	////
Rev01	13/07/2012	Added wiring diagram version UK dual voltage pag.7	Rev05	////	////



RIF. REF.	COLORE	COLOR
BK	NERO	BLACK
WH	BIANCO	WHITE
RD	ROSSO	RED
YE	GIALLO	YELLOW
BN	MARRONE	BROWN
GY	GRIGIO	GRAY
OG	ARANCIONE	ORANGE
BU	BLU	BLUE
GN	VERDE	GREEN
PK	ROSA	PINK
VT	VIOLA	VIOLET
LB	CELESTE	LIGHTBLUE

## WIRING DIAGRAM FOR P9000

POWER CONNECTIONS FOR VERSION THREE PHASE WITH DPP

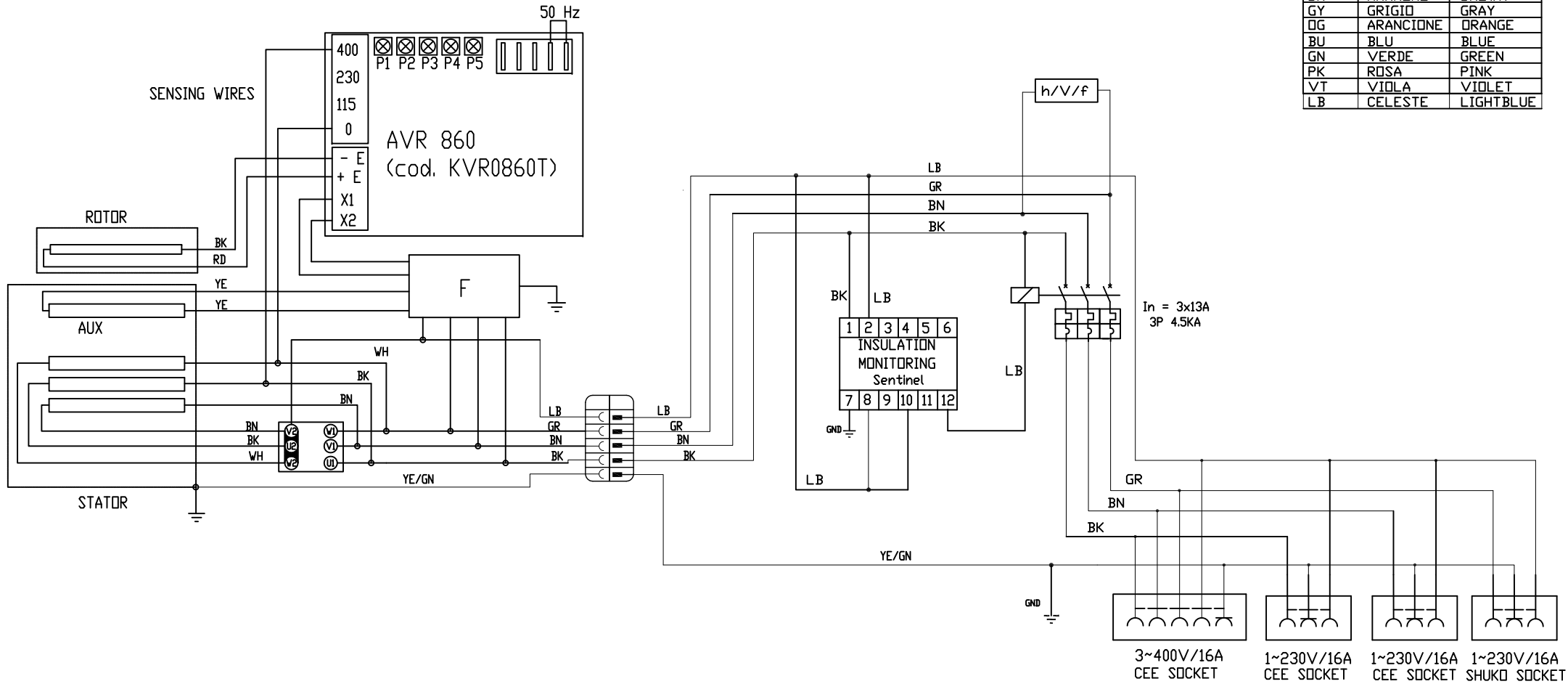
# GE0492

Date: 10/04/2012 Pag: 5

Autor: L.Pratelli

Rev04	15/07/2013	Standardized wires to multimeter (BN-GR) in three phase version (pag 5-6) / L.P.	Rev08	////	////
Rev03	10/05/2013	Changed wires section and disposition in order to have a better and easler production - pag 8 / L.P.	Rev07	////	////
Rev02	28/09/2012	Added 60 Hz wiring diagram version pag.8	Rev06	////	////
Rev01	13/07/2012	Added wiring diagram version UK dual voltage pag.7	Rev05	////	////

RIF. REF.	COLORE	COLOR
BK	NERO	BLACK
WH	BIANCO	WHITE
RD	ROSSO	RED
YE	GIALLO	YELLOW
BN	MARRONE	BROWN
GY	GRIGIO	GRAY
OG	ARANCIONE	ORANGE
BU	BLU	BLUE
GN	VERDE	GREEN
PK	ROSA	PINK
VT	VIOLA	VIOLET
LB	CELESTE	LIGHTBLUE



**WIRING DIAGRAM FOR P9000**

**POWER CONNECTIONS FOR VERSION THREE PHASE WITH ISOMETER**

**GE0492**

Date: 10/04/2012

Pag: 6

Autor: L.Pratelli

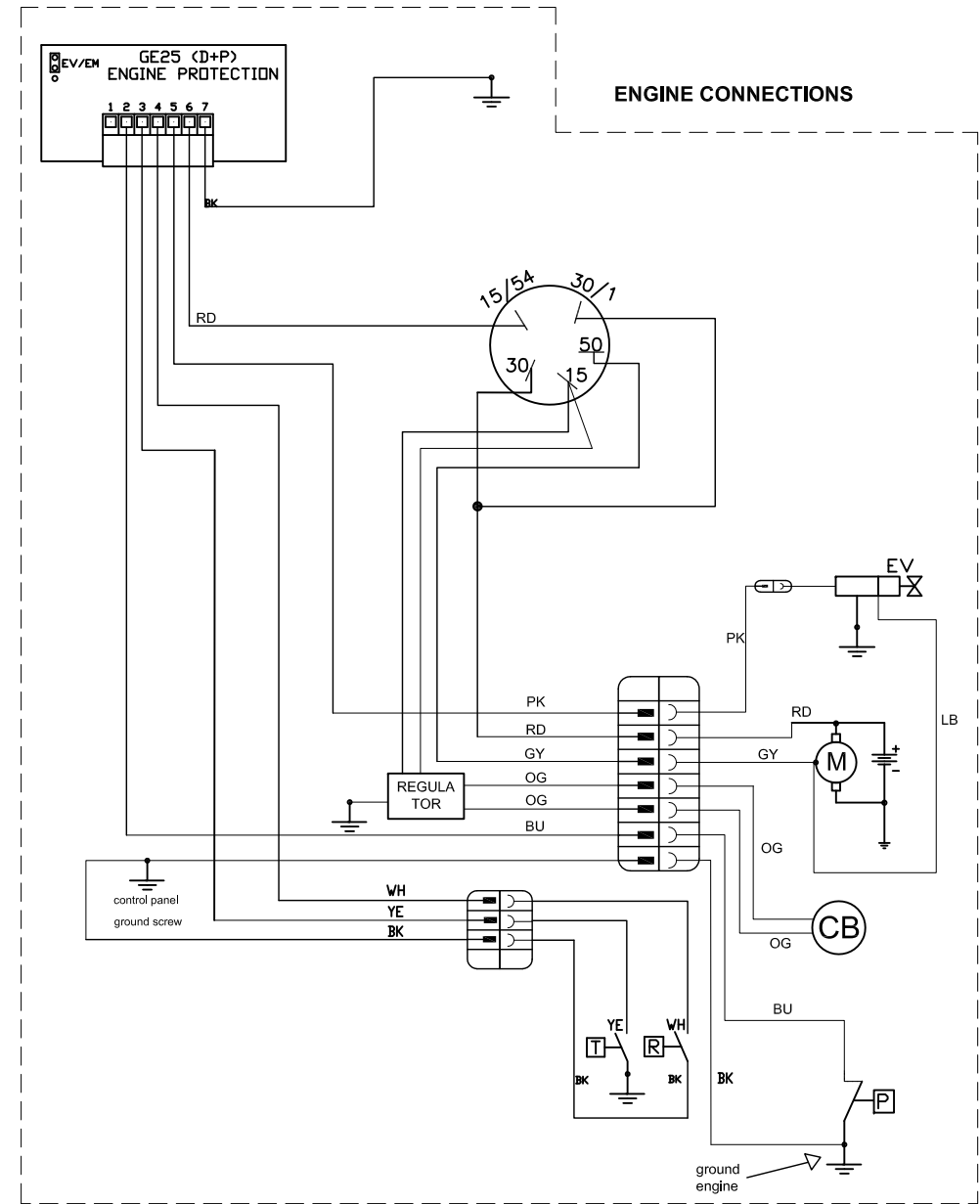
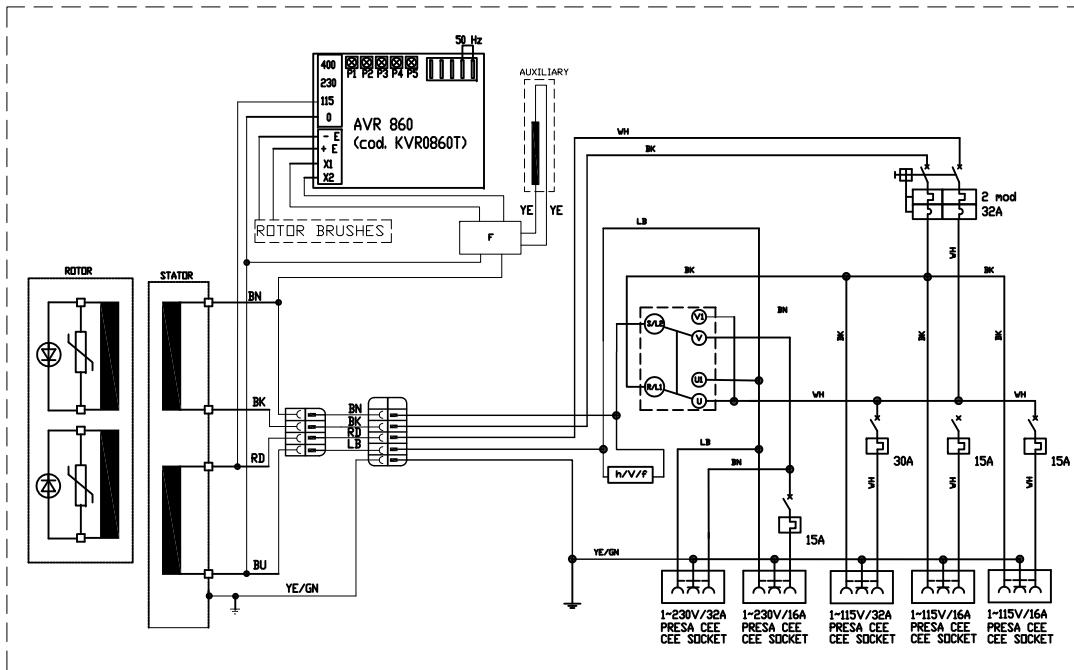
Rev04	15/07/2013	Standardized wires to multimeter (BN-GR) in three phase version (pag 5-6) / L.P.
Rev03	10/05/2013	Changed wires section and disposition in order to have a better and easler production - pag 8 / L.P.
Rev02	28/09/2012	Added 60 Hz wiring diagram version pag.8
Rev01	13/07/2012	Added wiring diagram version UK dual voltage pag.7

Rev08	////	////
Rev07	////	////
Rev06	////	////
Rev05	////	////



RIF. REF.	COLORE	COLOR
BK	NERO	BLACK
WH	BIANCO	WHITE
RD	ROSSO	RED
YE	GIALLO	YELLOW
BN	MARRONE	BROWN
GY	GRIGIO	GRAY
OG	ARANCIONE	ORANGE
BU	BLU	BLUE
GN	VERDE	GREEN
PK	ROSA	PINK
VT	VIOLA	VIOLET
LB	CELESTE	LIGHTBLUE

### POWER CONNECTIONS



## WIRING DIAGRAM FOR P9000

ENGINE AND POWER CONNECTIONS FOR UK DUAL VOLTAGE VERSION

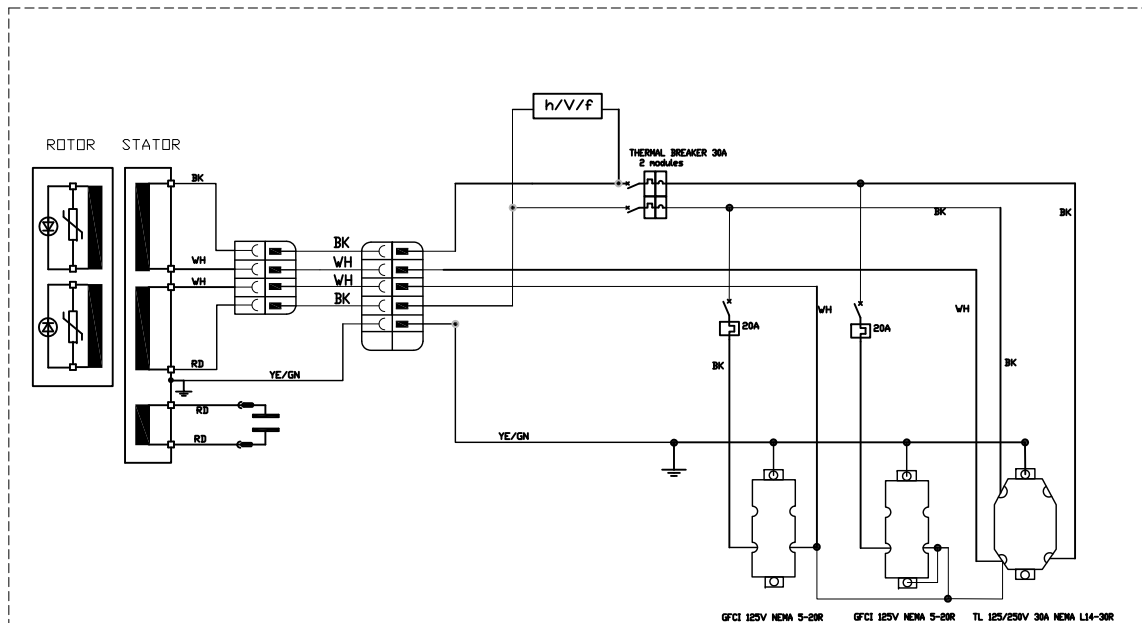
## GE0492

Date: 10/04/2012    Pag: 7  
 Autor: L.Pratelli

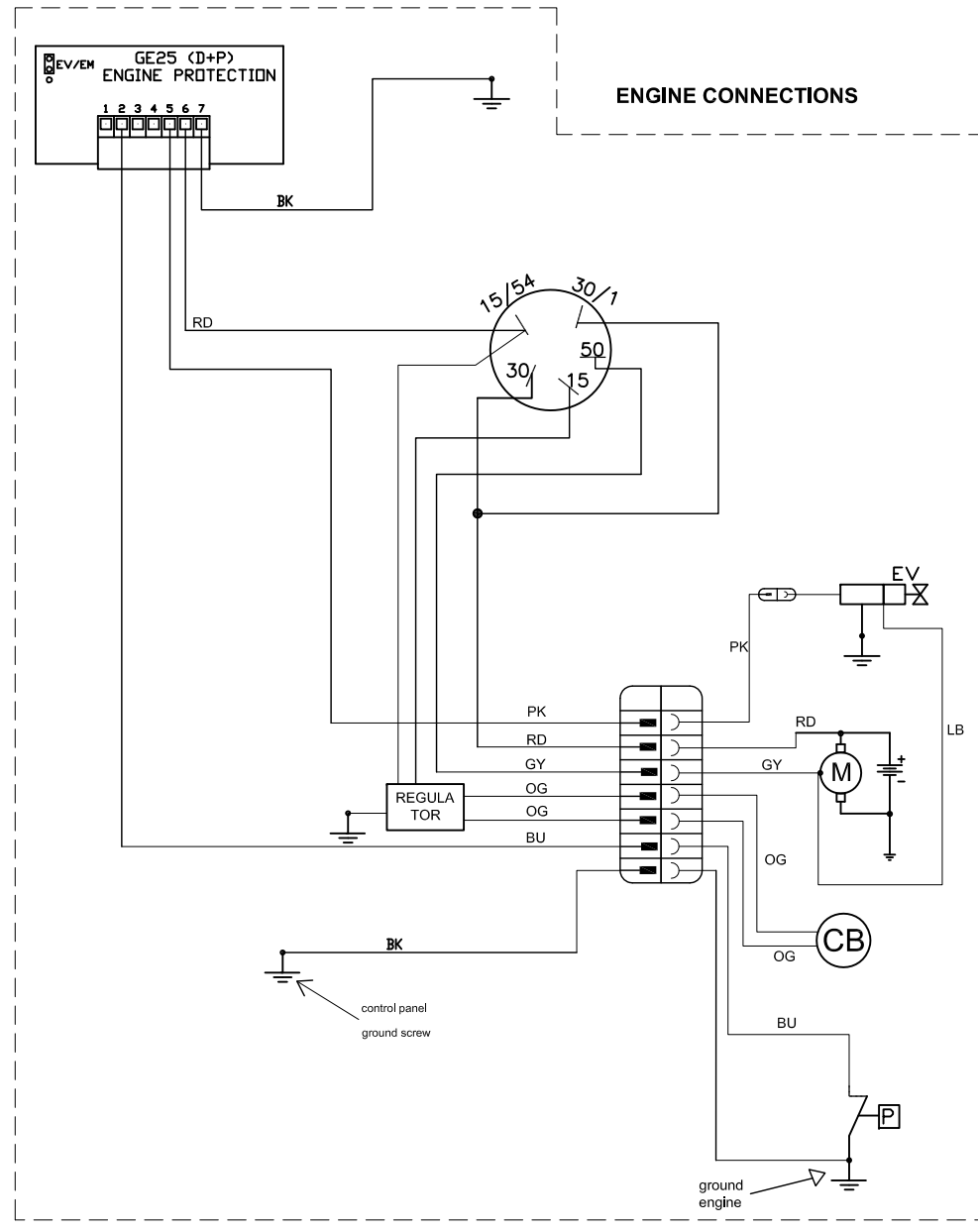
Rev04	15/07/2013	Standardized wires to multimeter (BN=GR) in three phase version (pag 5-6) / L.P.	Rev08	////	////
Rev03	10/05/2013	Changed wires section and disposition in order to have a better and easler production - pag 8 / L.P.	Rev07	////	////
Rev02	28/09/2012	Added 60 Hz wiring diagram version pag.8	Rev06	////	////
Rev01	13/07/2012	Added wiring diagram version UK dual voltage pag.7	Rev05	////	////

RIF. REF.	COLORE	COLOR
BK	NERO	BLACK
WH	BIANCO	WHITE
RD	ROSSO	RED
YE	GIALLO	YELLOW
BN	MARRONE	BROWN
GY	GRIGIO	GRAY
OG	ARANCIONE	ORANGE
BU	BLU	BLUE
GN	VERDE	GREEN
PK	ROSA	PINK
VT	VIOLA	VIOLET
LB	CELESTE	LIGHTBLUE

**POWER CONNECTIONS**



**ENGINE CONNECTIONS**



**WIRING DIAGRAM FOR P9000**

ENGINE AND POWER CONNECTIONS FOR VERSION SINGLE PHASE 60HZ

**GE0492**

Date: 10/04/2012 Pag: 08  
 Autor: L.Pratelli

Rev04	15/07/2013	Standardized wires to multimeter (BN-GR) in three phase version (pag 5-6) / L.P.	Rev08	////	////
Rev03	10/05/2013	Changed wires section and disposition in order to have a better and easler production - pag 8 / L.P.	Rev07	////	////
Rev02	28/09/2012	Added 60 Hz wiring diagram version pag.8	Rev06	////	////
Rev01	13/07/2012	Added wiring diagram version UK dual voltage pag.7	Rev05	////	////