

THIS ELECTRICAL DRAWING CONSISTS OF THE FOLLOWING SHEETS

Description

SHEET	Description
IN	INDEX
LI	ELECTRICAL COMPONENTS LIBRARY
01	ENGINE CONNECTIONS FOR VERSIONS WITH ISOMETER
02	ENGINE CONNECTIONS FOR VERSIONS CONN
03	POWER CONNECTIONS FOR VERSION SINGLE PHASE WITH DPP
04	POWER CONNECTIONS FOR VERSION SINGLE PHASE WITH ISOMETER
05	POWER CONNECTIONS FOR VERSION THREE PHASE WITH DPP
06	POWER CONNECTIONS FOR VERSION THREE PHASE WITH ISOMETER
07	POWER CONNECTIONS FOR VERSION SINGLE PHASE 60HZ

**WIRING DIAGRAM FOR P6000  
INDEX**

**GE0491**

Date: 05/04/2012 Pag: IN

Autor: L.Pratelli

Rev04 /// ///

Rev03 /// ///

Rev02 /// ///

Rev01 /// ///

Rev08 /// ///

Rev07 /// ///

Rev06 /// ///

Rev05 /// ///

0	1	2	3	4	5	6	7	8	9		
	GENERADOR GENERATOR GENERATORE GENERATOR 發電機		ALTERNADOR CARGA BATERIA BATTERY CHARGER GENERATORE CARICO BATERIA CHARGEUR BATTERIE BATTERIE CHARGER 電池充電器		CONTACTO TERMICO THERMAL SWITCH SCATTO TERMICO DECLENCHEUR THERMIQUE THERMAL SWITCH 保溫開關		CONMUTADOR SWITCH SELETTORE COMBINAITEUR SWITCH 開關		TRANSFORMADOR TRANSFORMER TRANSFORMATORE TRANSFORMATEUR TRANSFORMER 變壓器		TRANSFORMADOR DE CORRIENTE CURRENT TRANSFORMET TRANSFORMATORE DI CORRENTE TRANSFORMATEUR DE COURANT AKTUELLE TRANSFORMET 電流變壓器
	BATERIA BATTERY BATTERIA BATTERIE BATTERIE 電池		TERRA EARTH TERRA TERRE ERDE 地線		CONTACTO DE POTENCIA POWER SWITCH CONTATTO DI POTENZA CONTATORE CONTACT DI PUISSANCE POWER SWITCH 電力開關		BLOQUEO MECANICO MECHANICAL BLOCK INTERBLOCCO MECANICO BLOQUE MECANIQUE MECHANISCHE BLOCK 物理限制裝置		PROTECCION TERMICA THERMAL GUARD PROTEZIONE TERMICA THERMIQUE EN GARDE THERMISCHE GUARD 保溫裝置		RESISTENCIA RESISTOR RESISTENZA RESISTANCE RESISTOR 電阻
	GENERATOR EARTH MASSA GENERATORE MASSE GENERATEUR GENERATOR ERDE 發電機地線		CONEXIÓN CONNECTION CONNESSIONE JOINTAGE ANSCHLUSS 連接		BORNERO TERMINAL MORSETTO BORNE TERMINAL 接頭板		FUSIBLE FUSE FUSIBILE FUSIBLE SICHERUNG 保險絲		PRECALENTAMIENTO PRE-HEATING SCALDIGLIA PRE - CHAUFFAGE PRE - HEIZUNG 加熱器		TRANSDUCTOR DE NIVEL LEVEL TRANSDUCER TRASDUTTORE DI LEVELLO TRANSDUCTEUR DE NIVEAU LEVEL TRANSDUCER 燃料水平變換器
	ENCHUFE PLUG PRESA PLOT PLUG		ACTUADOR ACTUATOR ATTUATORE ACTIONNEUR ANTRIEB 促動器		ELECTROVALVULA ELECTRO VALVE ELETTROVALVOLA ELECTRO-VANNE ELEKTRO VENTIL 電子閥		SENSOR DE VELOCIDAD SPEED SENSOR PICK-UP SENSEUR DE VITESSE SPEED SENSOR 速度感應器		TRANSDUCTOR DE TEMPERATURA TEMPERATURE TRANSDUCER TRASDUTTORE DI TEMPERATURA TRANSDUCTEUR DE TEMPERATURE TEMPERATUR TRANSDUCER 溫度變換器		TRASDUCTOR DE PRESION PRESSURE TRANSDUCER TRASDUTTORE DI PRESSIONE TRANSDUCTEUR DE PRESSION PRESSURE TRANSDUCER 壓力變換器
	BOMBA PUMP POMPA POMPE PUMP 泵		ALARMA ALARM ALLARME SIRENE ALARME 警報器		DIODO DIODE DIODE DIODE DIODE 兩極真空管		LED LED LED LED LED 發光二極管		MOTOR DE ARRANQUE STARTER MOTOR MOTORINO D'AVVIAMENTO MOTEUR DE DEPART STARTER MOTOR 起動馬達		TOROIDAL TOROID TORE TOROIDE TOROID
	CABLE ARMADO SHIELDED CABLE CAVO SCHERMATO CABLE AVEC BLINDAGE SHIELDED CABLE 受保護的電纜		CONTACTO NA NA CONTACT CONTATTO NA CONTACT NA NA KONTAKT N/A 接觸器		BOBINA RELÉ-CONTACTOR RELAY-CONTACTOR COIL BOBINA RELÉ-CONTATTORE BOBINE RELAIS-CONTACTEUR RELAIS SPULE SCHUTZ 繼電器		AMPERIMETRO AMP METER AMPEROMETRO AMPEROMETRE AMP METER 電流計		PIN PIN PIN PIN PIN 針		CONTINUA EN PAGINA X COLUMNA Y CONTINUES IN PAGE X, COLUMN Y CONTINUA NELLA PAG. X, Y COLONNA CONTINUE A LA PAGE X, Y COLONNE WEITERHIN AUF DER SEITEX, Y SPALTE 繼續在一輯U+201C第十欄y
	CONTACTO NC NC CONTACT CONTATTO NC CONTACT NC NC KONTAKT NC 接觸器		CONTACTO CON CAMBIO EXCHANGE CONTACT CONTATTO IN SCAMBIO CONTACT DE ECHANGE AUSTAUSCH KONTAKT 調換接觸器		VOLTIMETRO VOLTMETER VOLTMETRO VOLTMETRE VOLT METER 電壓計		FRECUENCI METRO FREQUENCYMETER FREQUENZIMETRO FREQUENCYMETER FREQUENCYMETER 頻率計		RED MAINS RETTE		NIVEL DE COMBUSTIBLE FUEL LEVEL GAUGE LIVELLO DI GASSOLEO INDICATERUI DE NIVEAU DE CARBURANT KRAFTSTOFF EBENE 燃油液位計
	CONTACTOS CON FLOTADOR FLOAT CONTACT CONTATTO CON GALLEGIANTE CONTACT DE FLUTTEUR FLOAT KONTAKT 浮動接觸器		CONTACTO DE PRESIÓN PRESSURE CONTACT CONTATTO PRESSOSTATO PRESSOSTAT DRUCK KONTAKT 壓力接觸器		CUENTAHORAS HOURS METER CONTADRE COMPTE HEURES HOURS METER 計時器		CUENTAVUELTAS REVOLUTION COUNTER CONTAGIRI COMPTE-TOURS REVOLUTION COUNTER 旋轉計算器		CARGA LOAD CARICO		CONMUTADOR VOLTIMETRICO VOLTAGE SWITCH
	THERMAL CONTACT TERMOSTATO CONTACT DE TEMPERATURE THERMISCHE KONTAKT 保溫接觸器		CONTACTO DE FLUJO FLOW CONTACT FLUSSOSTATO CONTACT DE FLUX FLOW KONTAKT 流量接觸器		MANÓMETRO ACEITE OIL GAUGE MANOMETRO OLIO MANOMETRE HUILE OIL GAUGE 油錶		MANÓMETRO TPA. AGUA TEMPERATURE GAUGE TERMOSTATO ACQUA THERMOMETRE EAU TEMPERATUR GAUGE 溫度錶		CONMUTADOR AMPERIMETRICO AMPERIMETRIC SWITCH		CONTADOR KW/H KW/h COUNTER

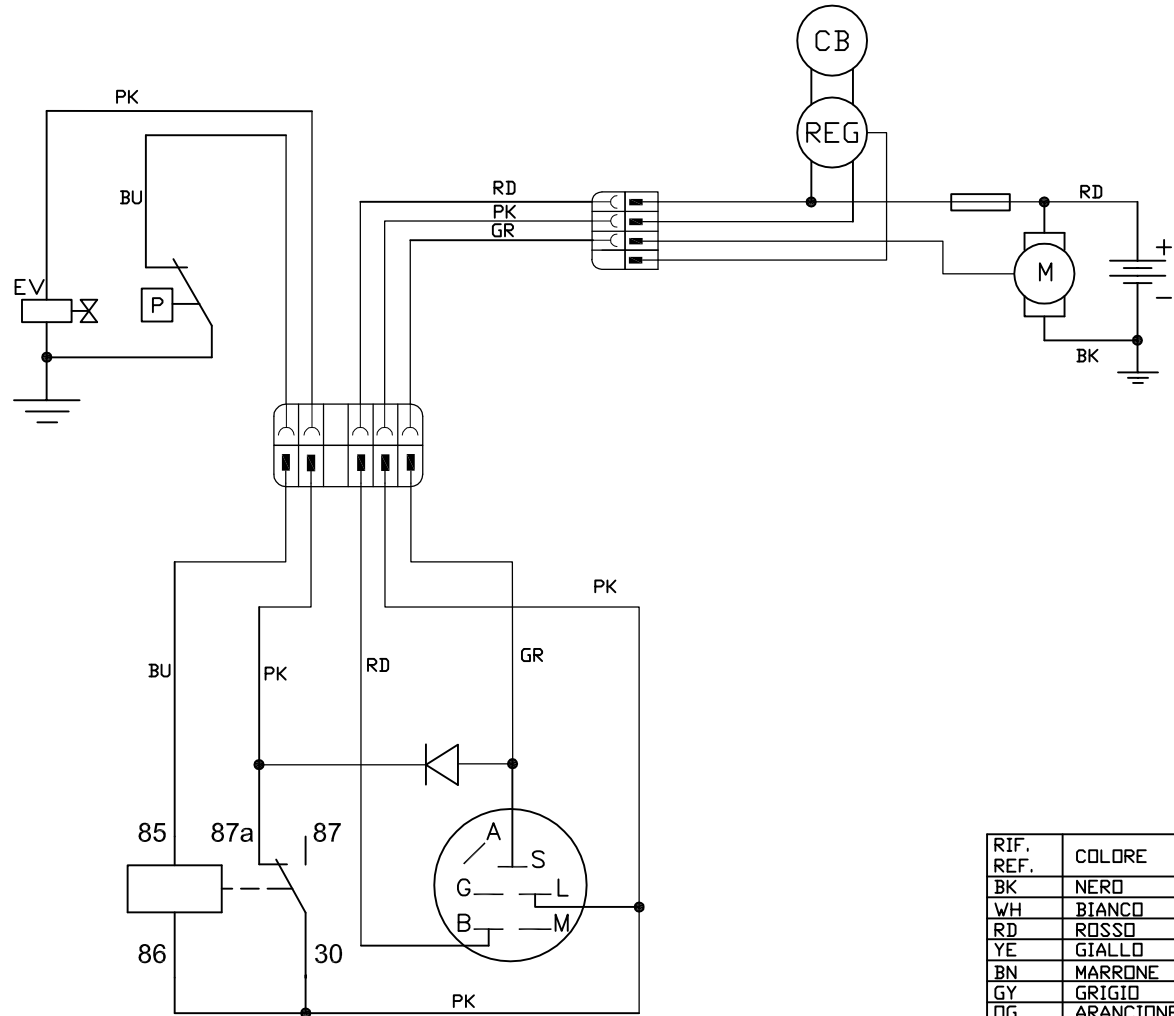
**WIRING DIAGRAM FOR P6000  
LIBRARY**

**GE0491**

Date: 05/04/2012    Pag: LI  
Autor: L.Pratelli

Rev04	///	////		Rev08	///	////
Rev03	///	////		Rev07	///	////
Rev02	///	////		Rev06	///	////
Rev01	///	////		Rev05	///	////

# KEY SWITCH (ELECTROVALVE) With Active Oil Safety



RIF. REF.	COLORE	COLOR
BK	NERO	BLACK
WH	BIANCO	WHITE
RD	ROSSO	RED
YE	GIALLO	YELLOW
BN	MARRONE	BROWN
GY	GRIGIO	GRAY
OG	ARANCIONE	ORANGE
BU	BLU	BLUE
GN	VERDE	GREEN
PK	ROSA	PINK
VT	VIOLA	VIOLET

**WIRING DIAGRAM FOR P6000**  
**ENGINE CONNECTIONS FOR VERSIONS IPP**

**GE0491**

Date: 05/04/2012    Pag: 1  
Autor: L.Pratelli

Rev04	///	////	Rev08	///	////
Rev03	///	////	Rev07	///	////
Rev02	///	////	Rev06	///	////
Rev01	///	////	Rev05	///	////

0

1

2

3

4

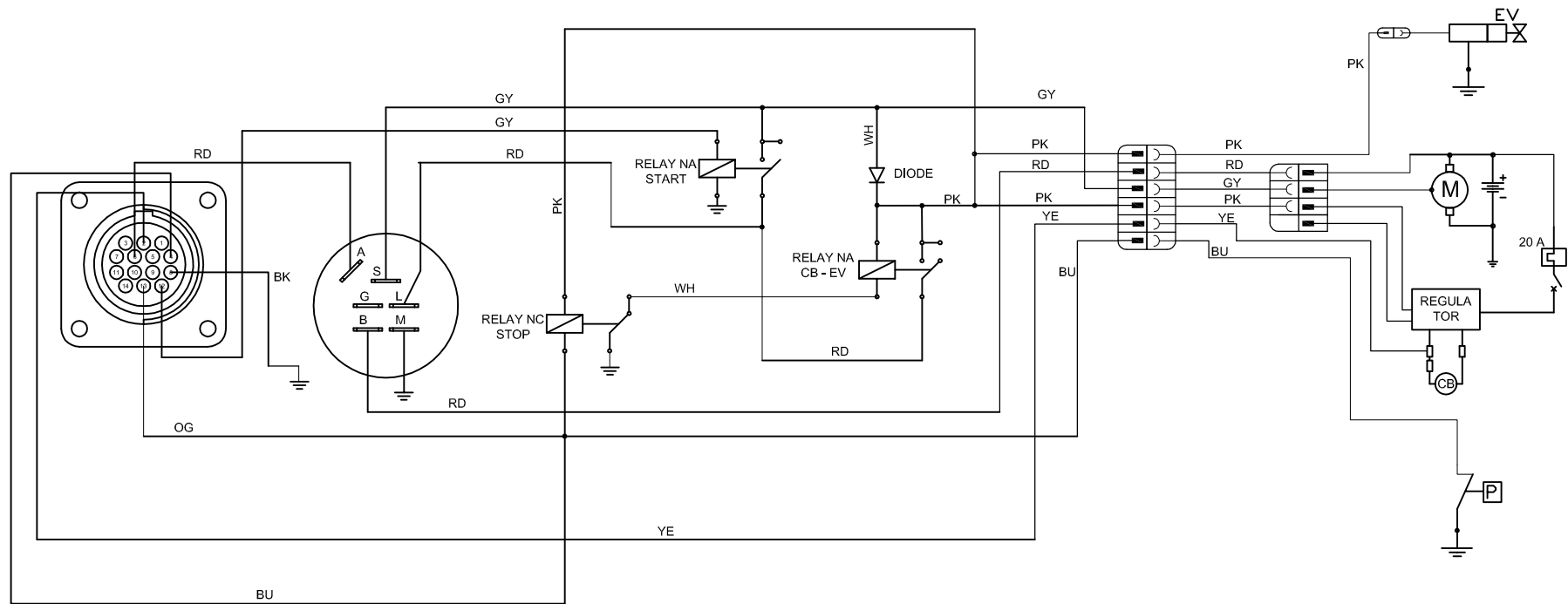
5

6

7

8

9



CONN. 14 POLES	AMF	RSS		COLOUR
1 --	--	--	--	--
2 D+ (12V )	--	IN	12V	YELLOW
3 + B x (EV or BC SUPPLY)	OUT	--	12V	PINK
4 OIL ALARM	IN	--	0V	BLUE
5 --	--	IN	230V	BROWN
6 + BATT. (UNDER KEY SWITCH )	--	IN	12V	RED
7 --	--	--	--	--
8 - BATTERY	IN	IN	0V	BLACK
9 ALARM FUEL	IN	--	0V	WHITE
10 ALARM TEMPERATURE	IN	--	0V	YELLOW
11 CHOKE	OUT	OUT	12V	PINK
12 START	OUT	OUT	12V	GREY
13 STOP	OUT	OUT	0V	ORANGE
14 --	--	--	--	--

RIF. REF.	COLORE	COLOR
BK	NERO	BLACK
WH	BIANCO	WHITE
RD	ROSSO	RED
YE	GIALLO	YELLOW
BN	MARRONE	BROWN
GY	GRIGIO	GRAY
OG	ARANCIONE	ORANGE
BU	BLU	BLUE
GN	VERDE	GREEN
PK	ROSA	PINK
VT	VIOLA	VIOLET

**WIRING DIAGRAM FOR P6000  
ENGINE CONNECTION FOR VERSIONS WITH CONN**

**GE0491**

Date: 05/04/2012 Pag: 2  
Autor: L.Pratelli

Rev04	///	///	Rev08	///	///
Rev03	///	///	Rev07	///	///
Rev02	///	///	Rev06	///	///
Rev01	///	///	Rev05	///	///

0

1

2

3

4

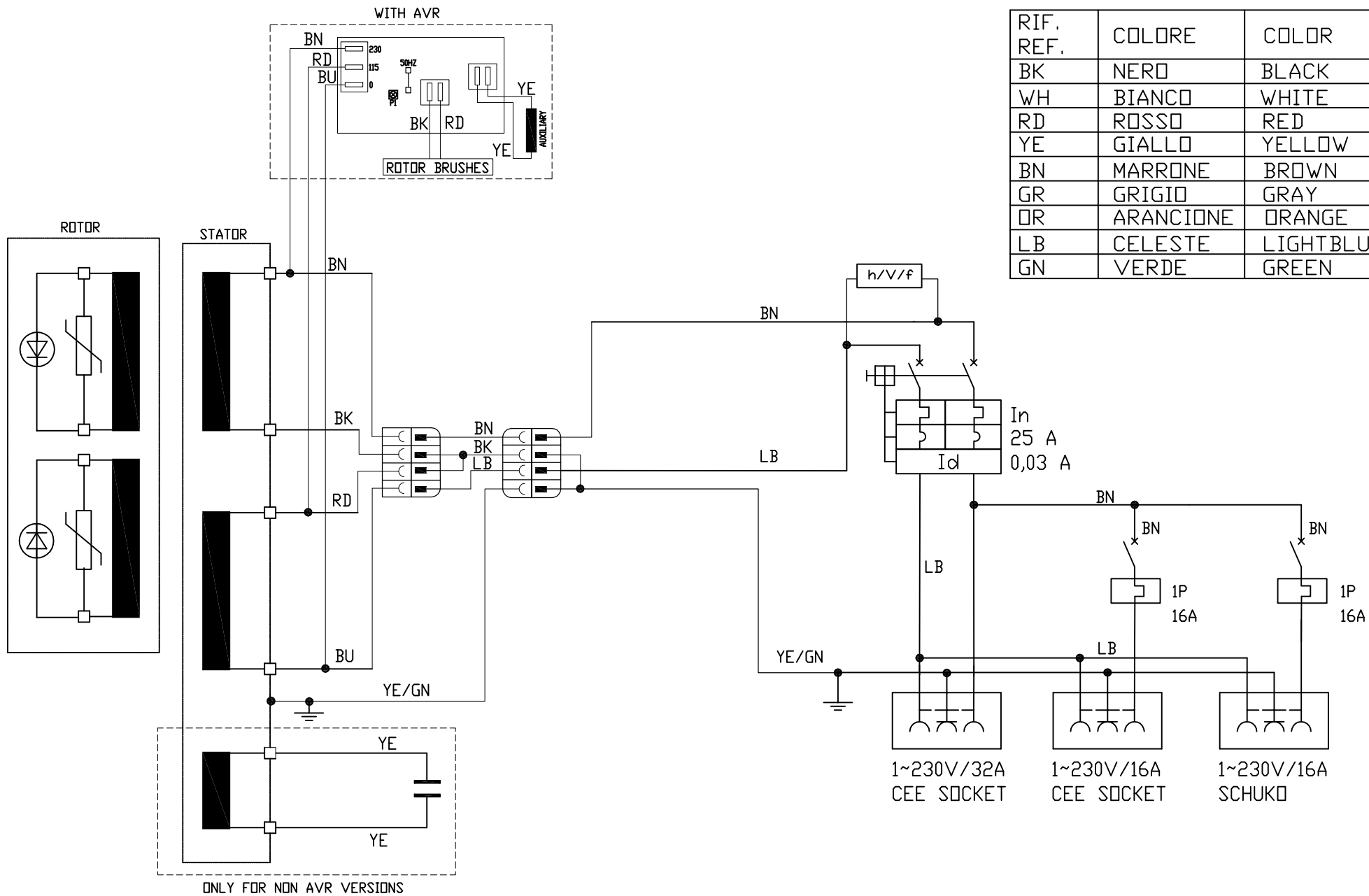
5

6

7

8

9



**WIRING DIAGRAM FOR P6000**  
**POWER CONNECTIONS FOR VERSION SINGLE PHASE WITH DPP**

**GE0491**

Date: 05/04/2012    Pag: 3

Autor: L.Pratelli

Rev04    ///    ///  
 Rev03    ///    ///  
 Rev02    ///    ///  
 Rev01    ///    ///

Rev08    ///    ///  
 Rev07    ///    ///  
 Rev06    ///    ///  
 Rev05    ///    ///

0

1

2

3

4

5

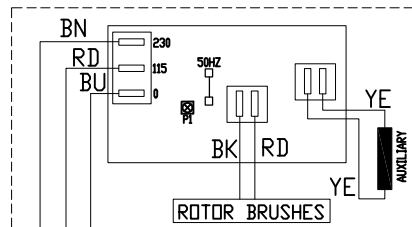
6

7

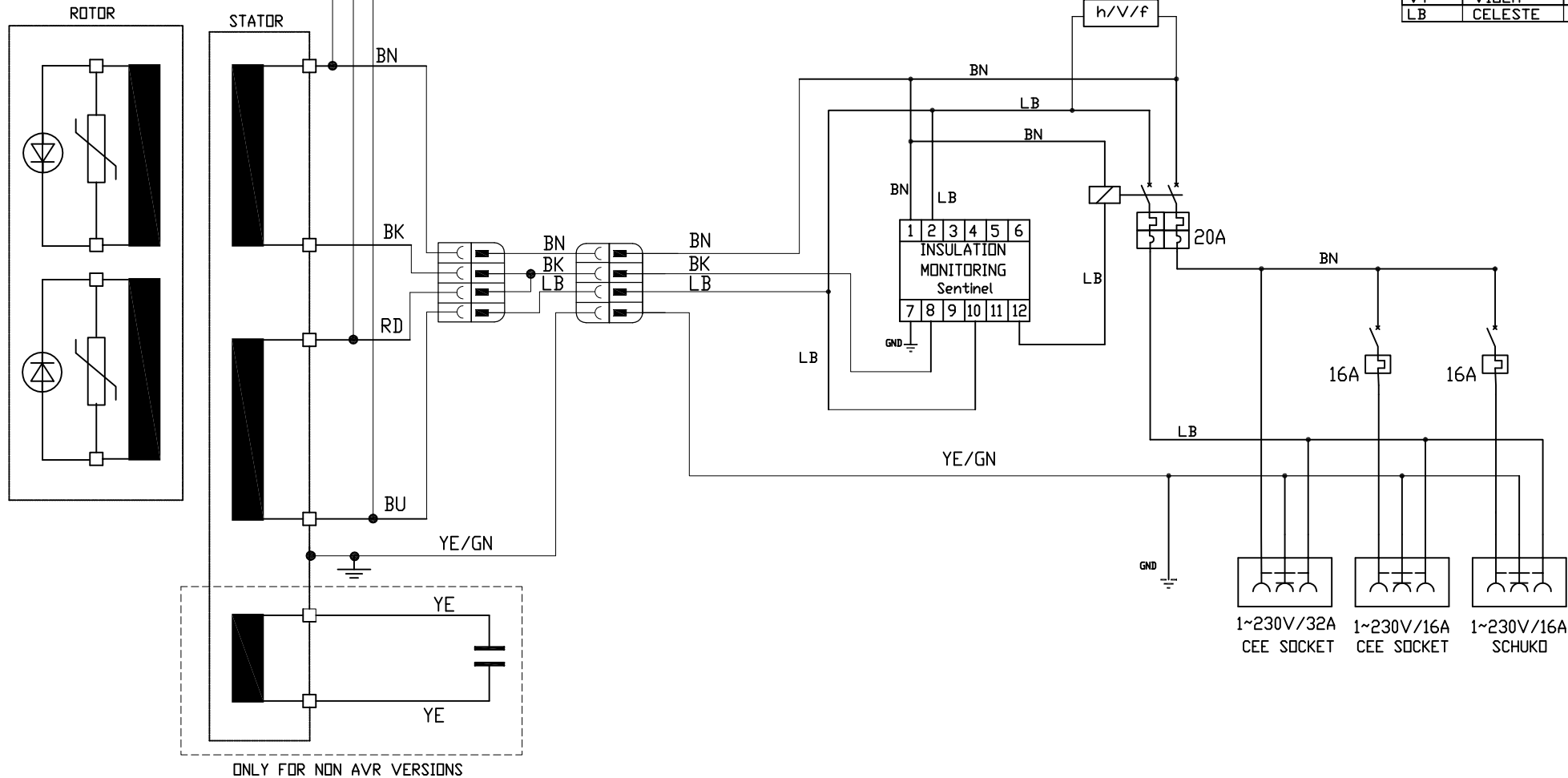
8

9

WITH AVR



RIF. REF.	COLORE	COLOR
BK	NERO	BLACK
WH	BIANCO	WHITE
RD	ROSSO	RED
YE	GIALLO	YELLOW
BN	MARRONE	BROWN
GY	GRIGIO	GRAY
OG	ARANCIONE	ORANGE
BU	BLU	BLUE
GN	VERDE	GREEN
PK	ROSA	PINK
VT	VIOLA	VIOLET
LB	CELESTE	LIGHTBLUE



ONLY FOR NON AVR VERSIONS

## WIRING DIAGRAM FOR P600

POWER CONNECTIONS FOR VERSION SINGLE PHASE WITH ISOMETER

### GE0491

Date: 05/04/2012

Pag: 4

Autor: L.Pratelli

Rev04

///

///

Rev08

///

///

Rev03

///

///

Rev07

///

///

Rev02

///

///

Rev06

///

///

Rev01

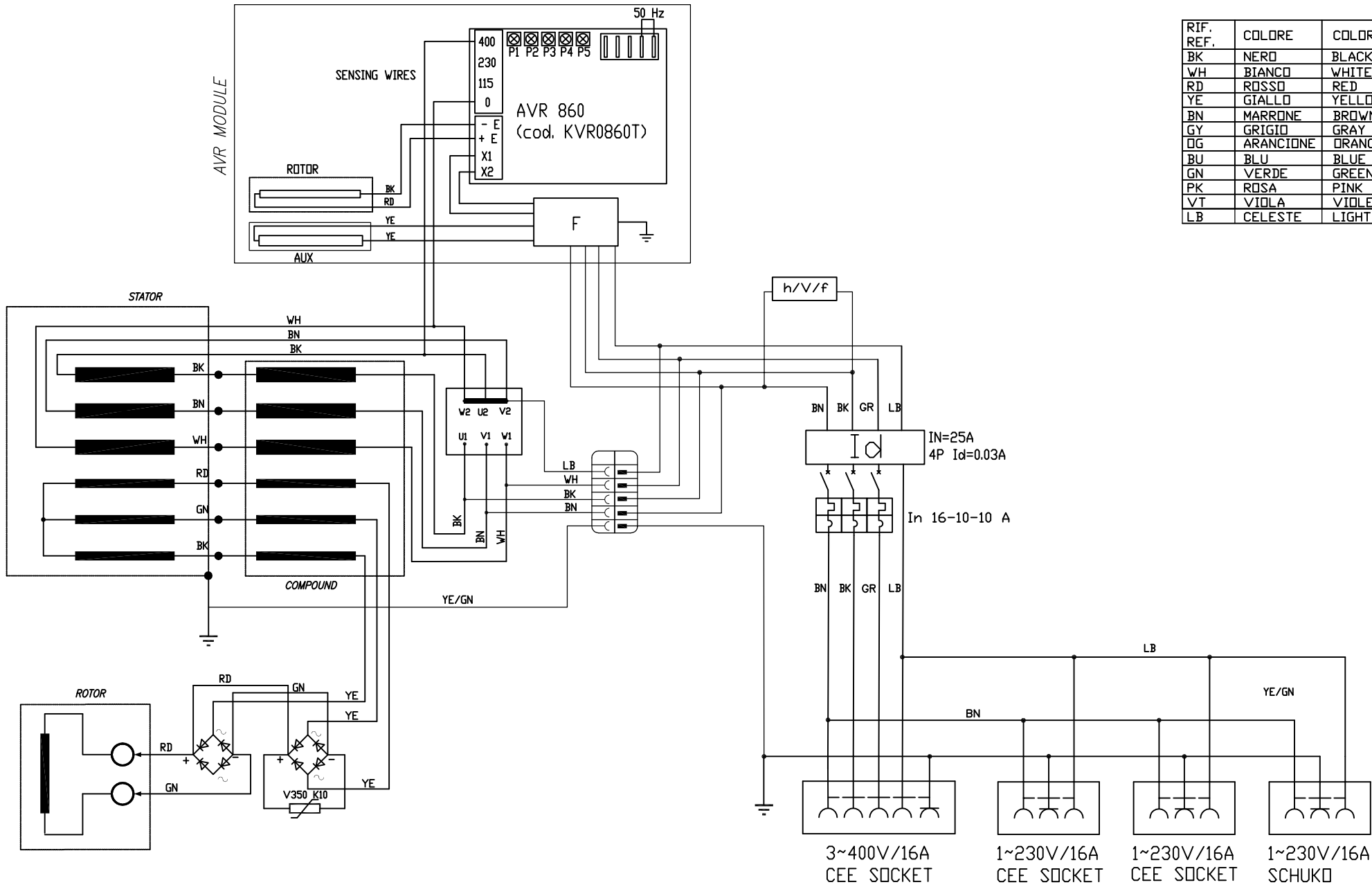
///

///

Rev05

///

///



RIF. REF.	COLORE	COLOR
BK	NERO	BLACK
WH	BIANCO	WHITE
RD	ROSSO	RED
YE	GIALLO	YELLOW
BN	MARRONE	BROWN
GY	GRIGIO	GRAY
OG	ARANCIONE	ORANGE
BU	BLU	BLUE
GN	VERDE	GREEN
PK	ROSA	PINK
VT	VIOLA	VIOLET
LB	CELESTE	LIGHTBLUE

**WIRING DIAGRAM FOR P600**

**POWER CONNECTIONS FOR VERSION THREE PHASE WITH DPP**

**GE0491**

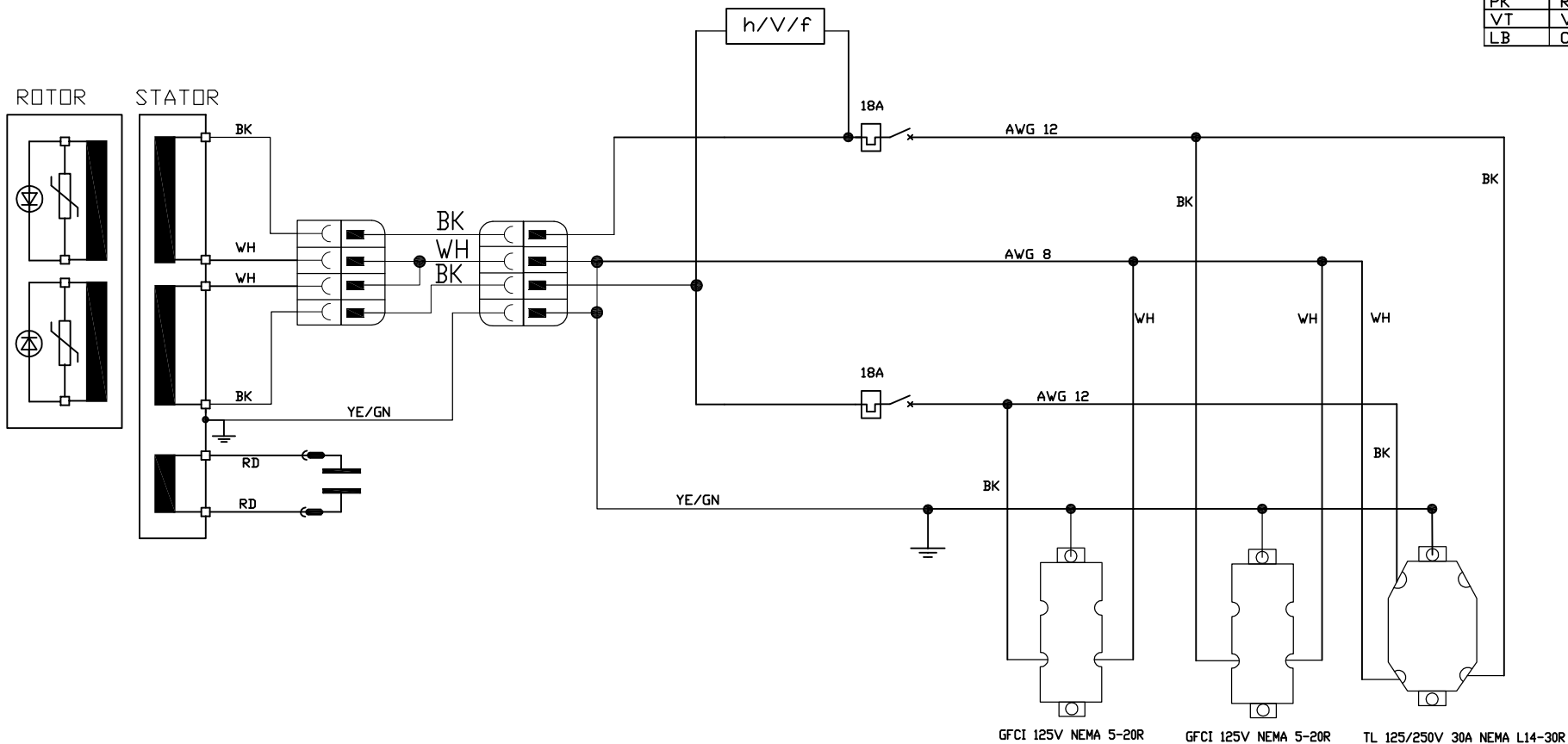
Date: 05/04/2012    Pag: 5  
 Autor: L.Pratelli

Rev04	///	////	Rev08	///	////
Rev03	///	////	Rev07	///	////
Rev02	///	////	Rev06	///	////
Rev01	///	////	Rev05	///	////





RIF. REF.	COLORE	COLOR
BK	NERO	BLACK
WH	BIANCO	WHITE
RD	ROSSO	RED
YE	GIALLO	YELLOW
BN	MARRONE	BROWN
GY	GRIGIO	GRAY
OG	ARANCIONE	ORANGE
BU	BLU	BLUE
GN	VERDE	GREEN
PK	ROSA	PINK
VT	VIOLA	VIOLET
LB	CELESTE	LIGHTBLUE



**WIRING DIAGRAM FOR P6000**

POWER CONNECTIONS FOR VERSION SINGLE PHASE 60 HZ

**GE0491**

Date: 05/04/2012    Pag: 7  
 Autor: L.Pratelli

Rev04	///	////	Rev08	///	////
Rev03	///	////	Rev07	///	////
Rev02	///	////	Rev06	///	////
Rev01	///	////	Rev05	///	////