

THIS ELECTRICAL DRAWING CONSISTS OF THE FOLLOWING SHEETS

Description	
SHEET	
IN	INDEX
LI	ELECTRICAL COMPONENTS LIBRARY
01	ENGINE CONNECTIONS FOR VERSIONS STD, IPP
02	ENGINE CONNECTIONS FOR VERSIONS CONN
03	POWER CONNECTIONS S5000 S8000 SINGLE PHASE STD
04	POWER CONNECTIONS S5000 S8000 SINGLE PHASE DPP
05	POWER CONNECTIONS S5000 S8000 SINGLE PHASE IPP
06	POWER CONNECTIONS S5000 S8000 THREE PHASE STD
07	POWER CONNECTIONS S5000 S8000 THREE PHASE DPP
08	POWER CONNECTIONS S5000 S8000 THREE PHASE IPP
09	POWER CONNECTIONS FOR UK VERSION
10	POWER CONNECTIONS FOR AU VERSION
11	POWER CONNECTIONS FOR SP8000

**WIRING DIAGRAM FOR NEW S5000-S8000-SP8000
INDEX**

GE0496

Date: 30/08/2013 Pag: IN

Autor: L.Pratelli

Rev04

///

////

Rev08

///

////

Rev03

///

////

Rev07

///

////

Rev02

///

////

Rev06

///

////

Rev01

///

////

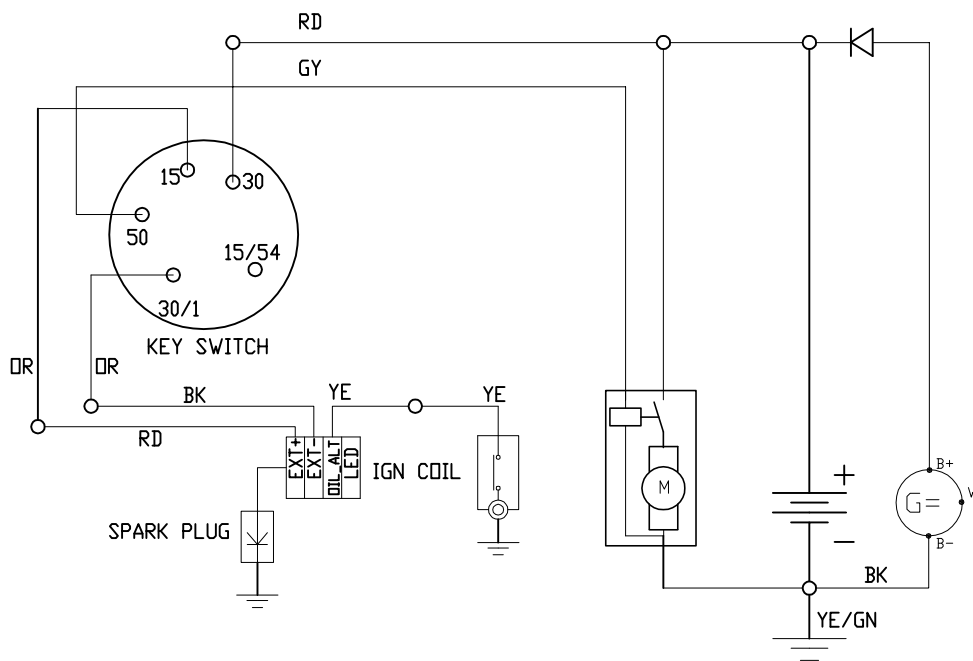
Rev05

///

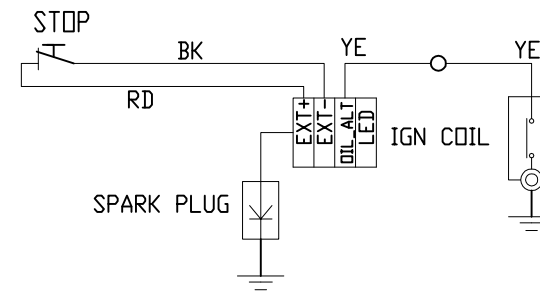
////

	GENERADOR GENERATOR GENERATORE GENERATOR 發電機		ALTERNADOR CARGA BATERIA BATTERY CHARGER GENERATORE CARICO BATERIA CHARGEUR BATTERIE BATTERIE CHARGER 電池充電器		CONTACTO TERMICO THERMAL SWITCH SCATTO TERMICO DECLENCHEUR TERMIQUE THERMAL SWITCH 保溫開關		CONMUTADOR SWITCH SELETTORE COMBINAITEUR SWITCH 開關		TRANSFORMADOR TRANSFORMER TRANSFORMATORE TRANSFORMATEUR TRANSFORMER 變壓器		TRANSFORMADOR DE CORRIENTE CURRENT TRANSFORMET TRANSFORMATORE DI CORRENTE TRANSFORMATEUR DE COURANT AKTUELLE TRANSFORMET 電流變壓器
	BATERIA BATTERY BATTERIA BATTERIE BATTERIE 電池		TIERRA EARTH TERRA TERRE ERDE 地線		CONTACTO DE POTENCIA POWER SWITCH CONTATTO DI POTENZA CONTATORE CONTACT DI PUISSANCE POWER SWITCH 電力開關		BLOQUEO MECANICO MECHANICAL BLOCK INTERBLOCCO MECANICO BLOQUE MECANIQUE MECHANISCHE BLOCK 物理限制裝置		PROTECCION TERMICA THERMAL GUARD PROTEZIONE TERMICA THERMIQUE EN GARDE THERMISCHE GUARD 保溫裝置		RESISTENCIA RESISTOR RESISTENZA RESISTANCE RESISTOR 電阻
	GENERATOR EARTH MASSE GENERATEUR MASSE GENERATEUR GENERATOR ERDE 發電機地線		CONEXION CONNECTION CONNESSIONE JOINTAGE ANSCHLUSS 連接		BORNERO TERMINAL MORSETTO BORNE TERMINAL 接頭板		FUSIBLE FUSE FUSIBILE FUSIBLE SICHERUNG 保險絲		PRECALENTAMIENTO PRE-HEATING SCALDIGLIA PRE - CHAUFFAGE PRE - HEIZUNG 加熱器		TRANSDUCTOR DE NIVEL LEVEL TRANSDUCER TRASDUTTORE DI LIVELLO TRANSDUCTEUR DE NIVEAU LEVEL TRANSDUCER 燃料水平變換器
	ENCHUFE PLUG PRESA PLDT PLUG		ACTUADOR ACTUATOR ATTUATORE ACTIONNEUR ANTRIEB 促動器		ELECTROVALVULA ELECTRO VALVE ELETTRVALVOLA ELECTRO-VANNE ELEKTRO VENTIL 電子閥		SENSOR DE VELOCIDAD SPEED SENSOR PICK-UP SENSEUR DE VITESSE SPEED SENSOR 速度感應器		TRANSDUCTOR DE TEMPERATURA TEMPERATURE TRANSDUCER TRASDUTTORE DI TEMPERATURA TRANSDUCTEUR DE TEMPERATURE TEMPERATUR TRANSDUCER 溫度變換器		TRANSDUCTOR DE PRESSION PRESSURE TRANSDUCER TRASDUTTORE DI PRESSIONE TRANSDUCTEUR DE PRESSION PRESSURE TRANSDUCER 壓力變換器
	BOMBA PUMP POMPA POMPE PUMP 泵		ALARMA ALARM ALLARME SIRENE ALARME 警報器		DIODO DIODE DIODO DIODE DIODE 兩極真空管		LED LED LED LED LED 發光二極管		MOTOR DE ARRANQUE STARTER MOTOR MOTORINO D'AVVIAMENTO MOTEUR DE DÉPART STARTER MOTOR 起動馬達		TORDIDAL TORDID TORE TORDIDE TORDID
	CABLE ARMADO SHIELDED CABLE CAVO SCHERMATO CABLE AVEC BLINDAGE SHIELDED CABLE 受保護的電纜		CONTACTO NA NA CONTACT CONTATTO NA CONTACT NA NA KONTAKT N/A 接觸器		BOBINA RELE-CONTACTOR RELAY-CONTACTOR COIL BOBINA RELÉ-CONTATTORE BOBINE RELAIS-CONTACTEUR RELAIS SPULE SCHUTZ 繼電器		AMPERIMETRO AMP METER AMPEROMETRO AMPEROMETRE AMP METER 電流計		PIN PIN PIN PIN PIN 針		CONTINUA EN PAGINA X COLUMNA Y CONTINUES IN PAGE X, COLUMN Y CONTINUA NELLA PAG. X, Y COLONNA CONTINUE A LA PAGE X, Y COLONNE WEITERHIN AUF DER SEITE X, Y SPALTE 繼續在一種U+201C第十欄 y
	CONTACTO NC NC CONTACT CONTATTO NC CONTACT NC NC KONTAKT NC 接觸器		CONTACTO CON CAMBIO EXCHANGE CONTACT CONTATTO IN SCAMBIO CONTACT DE ECHANGE AUSTAUSCH KONTAKT 調換接觸器		VOLTIMETRO VOLTMETER VOLTMETRO VOLTMETRE VOLTMETER 電壓計		FRECUENCIOMETRO FREQUENCYMETER FREQUENZIMETRO FREQUENZIMETER FREQUENCYMETER 頻率計		RED MAINS RETTE		NIVEL DE COMBUSTIBLE FUEL LEVEL GAUGE LIVELLO DI GASSOLEO INDICATERUR DE NIVEAU DE CARBURANT KRAFTSTOFF EBENE 燃油液位計
	CONTACTOS CON FLOTADOR FLOAT CONTACT CONTACTO CON GALLEGIANTE CONTACT DE FLOTTEUR FLOAT KONTAKT 浮動接觸器		CONTACTO DE PRESION PRESSURE CONTACT PRESSOSTAT PRESSOSTAT DRUCK KONTAKT 壓力接觸器		CUENTAHORAS HOURS METER CONADRE COMPTE HEURES HOURS METER 計時器		CUENTAVUELTAS REVOLUTION COUNTER CONTAGIRI COMPTE-TOURS REVOLUTION COUNTER 旋轉計算器		CARGA LOAD CARICO		CONMUTADOR VOLTIMETRICO VOLTAGE SWITCH
	THERMAL CONTACT THERMOSTAT CONTACT DE TEMPERATURE THERMISCHE KONTAKT 保溫接觸器		CONTACTO DE FLUJO FLOW CONTACT FLUSSOSTATO CONTACT DE FLUX FLOW KONTAKT 流量接觸器		MANGMETRO ACEITE OIL GAUGE MANOMETRO OLIO MANOMETRE HUILE OIL GAUGE 油錶		MANGMETRO TPA. AGUA TEMPERATURE GAUGE THERMOSTATO ACQUA THERMOMETRE EAU TEMPERATUR GAUGE 溫度錶		CONMUTADOR AMPERIMETRICO AMPERIMETRIC SWITCH		CONTADOR KW/H KW/h COUNTER

ELECTRIC START



MANUAL START



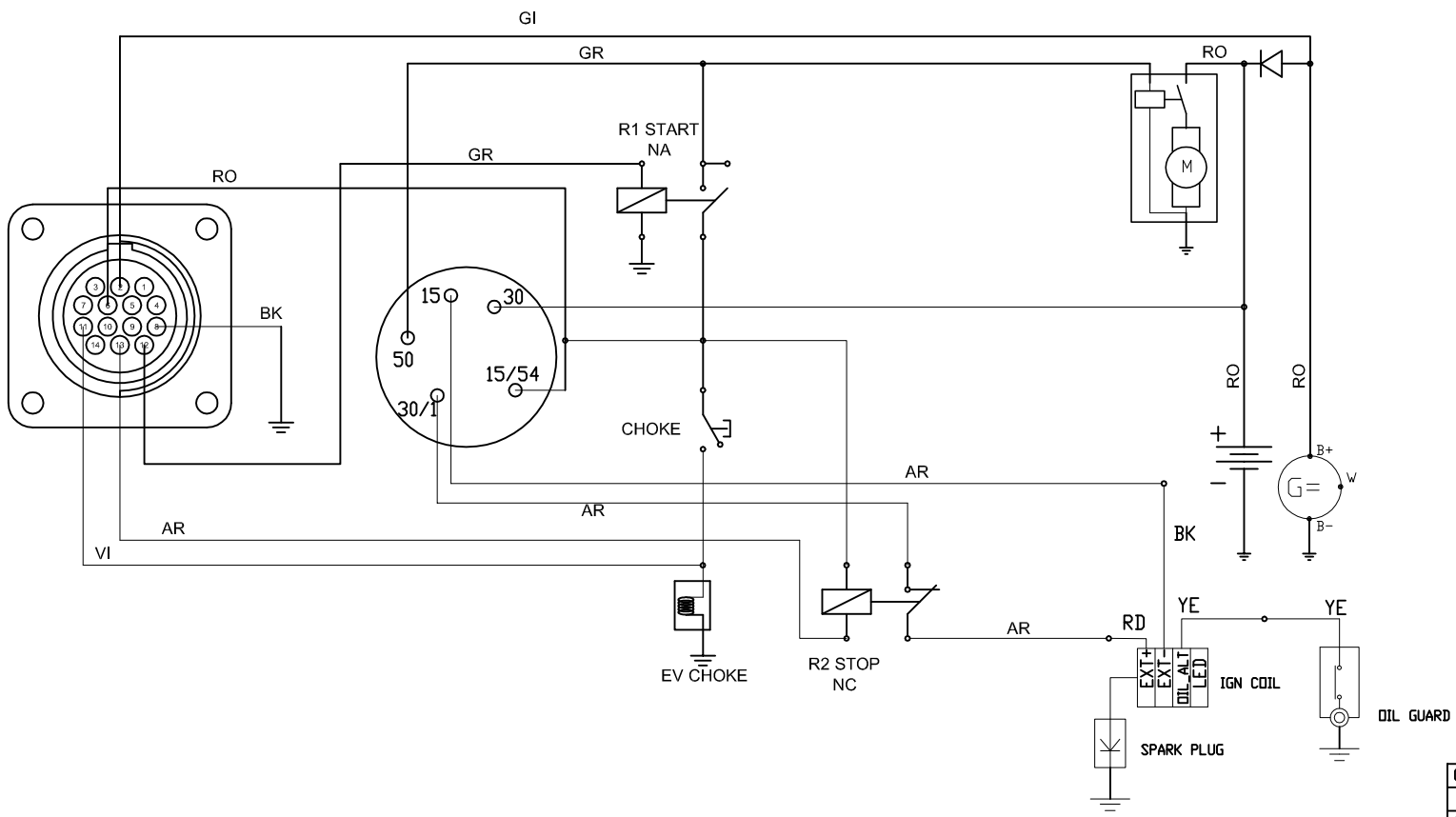
RIF. REF.	COLORE	COLOR
BK	NERO	BLACK
WH	BIANCO	WHITE
RD	ROSSO	RED
YE	GIALLO	YELLOW
BN	MARRONE	BROWN
GY	GRIGIO	GRAY
OG	ARANCIONE	ORANGE
BU	BLU	BLUE
GN	VERDE	GREEN
PK	ROSA	PINK
VT	VIOLA	VIOLET

WIRING DIAGRAM FOR NEW S5000-S8000-SP8000
ENGINE CONNECTION FOR VERSIONS STD, IPP

GE0496

Date: 30/08/2013 Pag: 1
 Autor: L.Pratelli

Rev04	////	////	Rev08	////	////
Rev03	////	////	Rev07	////	////
Rev02	////	////	Rev06	////	////
Rev01	////	////	Rev05	////	////



RIF. REF.	COLORE	COLOR
BK	NERO	BLACK
WH	BIANCO	WHITE
RD	ROSSO	RED
YE	GIALLO	YELLOW
BN	MARRONE	BROWN
GY	GRIGIO	GRAY
OG	ARANCIONE	ORANGE
BU	BLU	BLUE
GN	VERDE	GREEN
PK	ROSA	PINK
VT	VIOLA	VIOLET

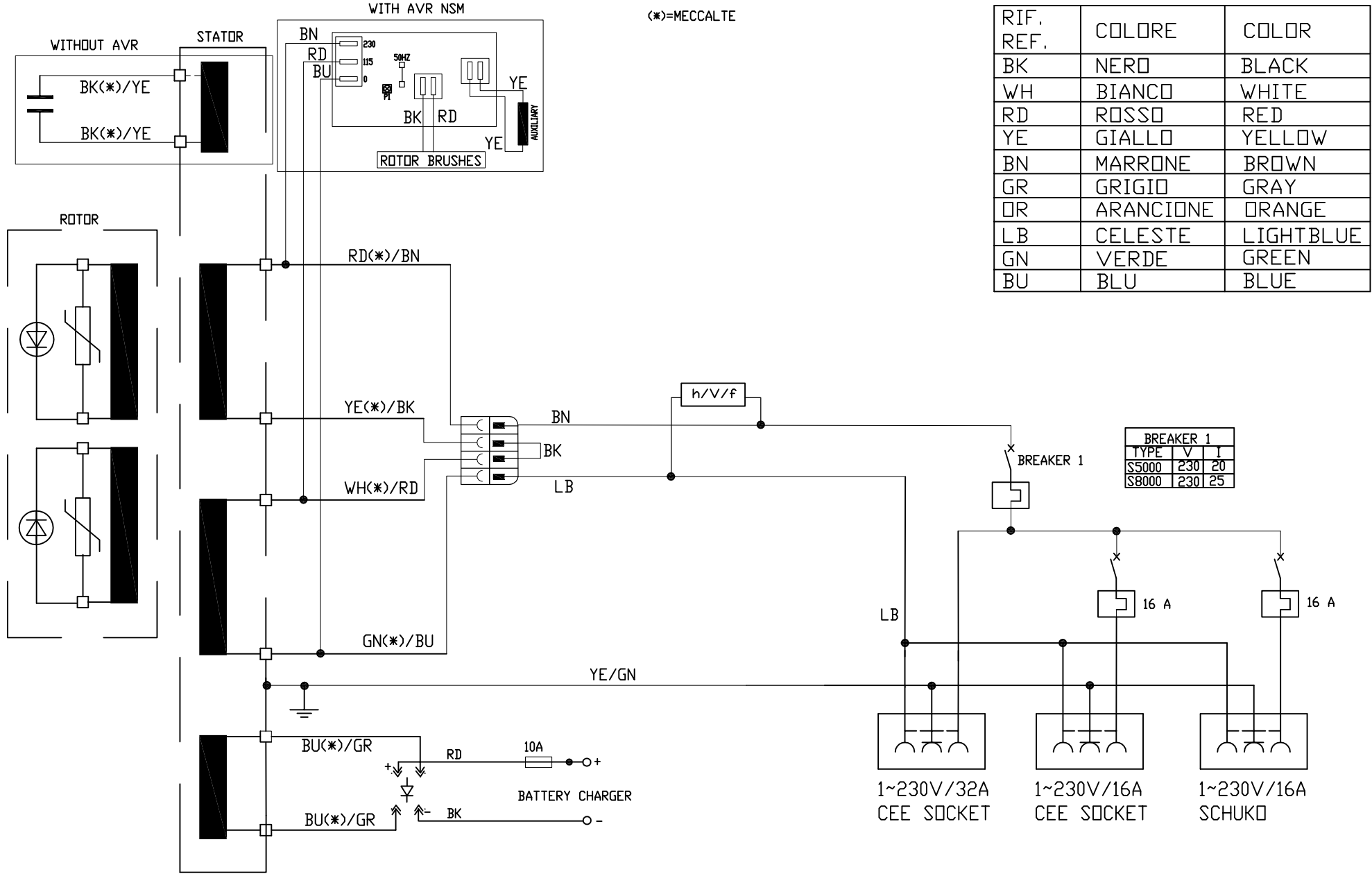
CONN. 14 POLES	AMF	RSS		COLOUR
1 NEUTRAL (230V)	--	IN	0v	LIGHT BLUE
2 D+ (12V)	--	IN	12v	YELLOW
3 + B x (EV or BC SUPPLY)	OUT	--	12v	PINK
4 OIL ALARM	IN	--	0v	BLUE
5 PHASE (230V)	--	IN	230v	BROWN
6 + BATT. (UNDER KEY SWITCH)	--	IN	12v	RED
7 --	--	--	--	GREEN
8 - BATTERY	IN	IN	0v	BLACK
9 ALARM FUEL	IN	--	0v	WHITE
10 ALARM TEMPERATURE	IN	--	0v	YELLOW
11 CHOKE	OUT	OUT	12v	PINK
12 START	OUT	OUT	12v	GREY
13 STOP	OUT	OUT	0v	ORANGE
14 --	--	--	--	G/Y

**WIRING DIAGRAM FOR NEW S5000-S8000-SP8000
ENGINE CONNECTION FOR VERSIONS WITH CONN**

GE0496

Date: 30/08/2013 Pag: 2
 Autor: L.Pratelli

Rev04	///	////	Rev08	///	////
Rev03	///	////	Rev07	///	////
Rev02	///	////	Rev06	///	////
Rev01	///	////	Rev05	///	////



WIRING DIAGRAM FOR NEW S5000-S8000-SP8000
POWER CONNECTIONS S5000 S8000 SINGLE PHASE STD

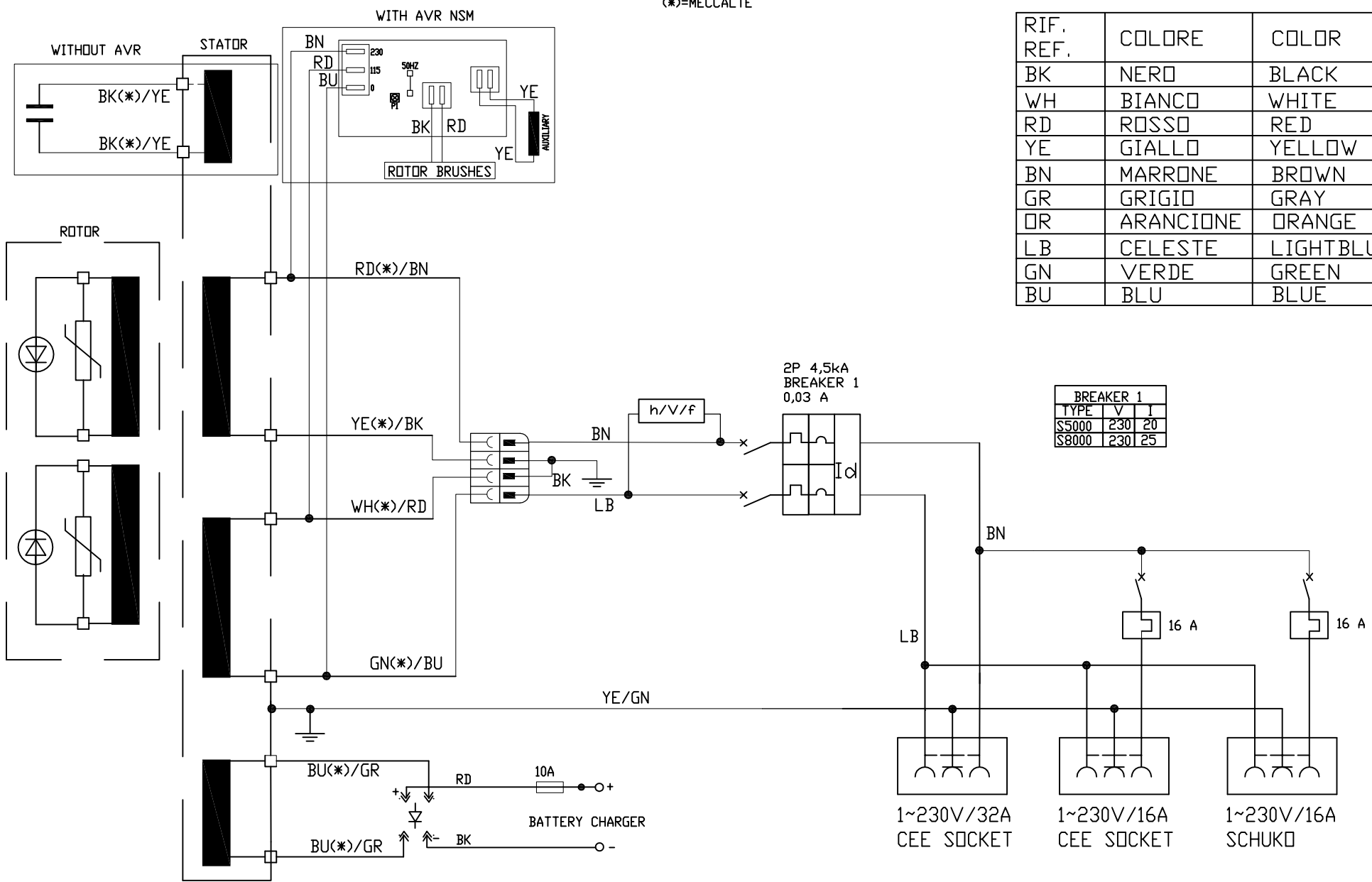
GE0496

Date: 30/08/2013 Pag: 3
 Autor: L.Pratelli

Rev04	////	////	Rev08	////	////
Rev03	////	////	Rev07	////	////
Rev02	////	////	Rev06	////	////
Rev01	////	////	Rev05	////	////

(*)=MECCALTE

RIF. REF.	COLORE	COLOR
BK	NERO	BLACK
WH	BIANCO	WHITE
RD	ROSSO	RED
YE	GIALLO	YELLOW
BN	MARRONE	BROWN
GR	GRIGIO	GRAY
OR	ARANCIONE	ORANGE
LB	CELESTE	LIGHTBLUE
GN	VERDE	GREEN
BU	BLU	BLUE



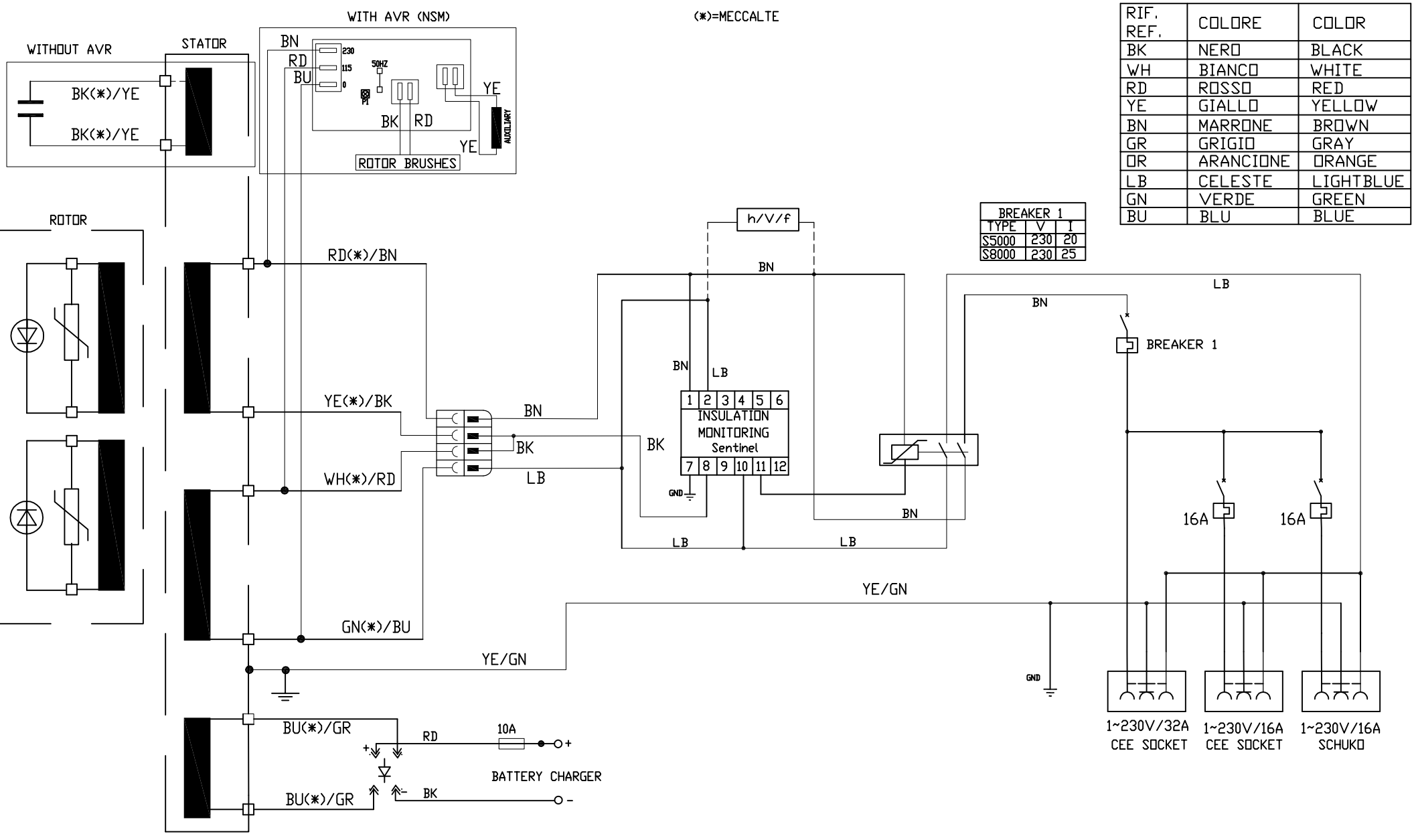
BREAKER 1		
TYPE	V	I
S5000	230	20
S8000	230	25

WIRING DIAGRAM FOR NEW S5000-S8000-SP8000
POWER CONNECTIONS S5000 S8000 SINGLE PHASE DPP

GE0496

Date: 30/08/2013 Pag: 4
 Autor: L.Pratelli

Rev04	///	////	Rev08	///	////
Rev03	///	////	Rev07	///	////
Rev02	///	////	Rev06	///	////
Rev01	///	////	Rev05	///	////



RIF. REF.	COLORE	COLOR
BK	NERO	BLACK
WH	BIANCO	WHITE
RD	ROSSO	RED
YE	GIALLO	YELLOW
BN	MARRONE	BROWN
GR	GRIGIO	GRAY
OR	ARANCIONE	ORANGE
LB	CELESTE	LIGHTBLUE
GN	VERDE	GREEN
BU	BLU	BLUE

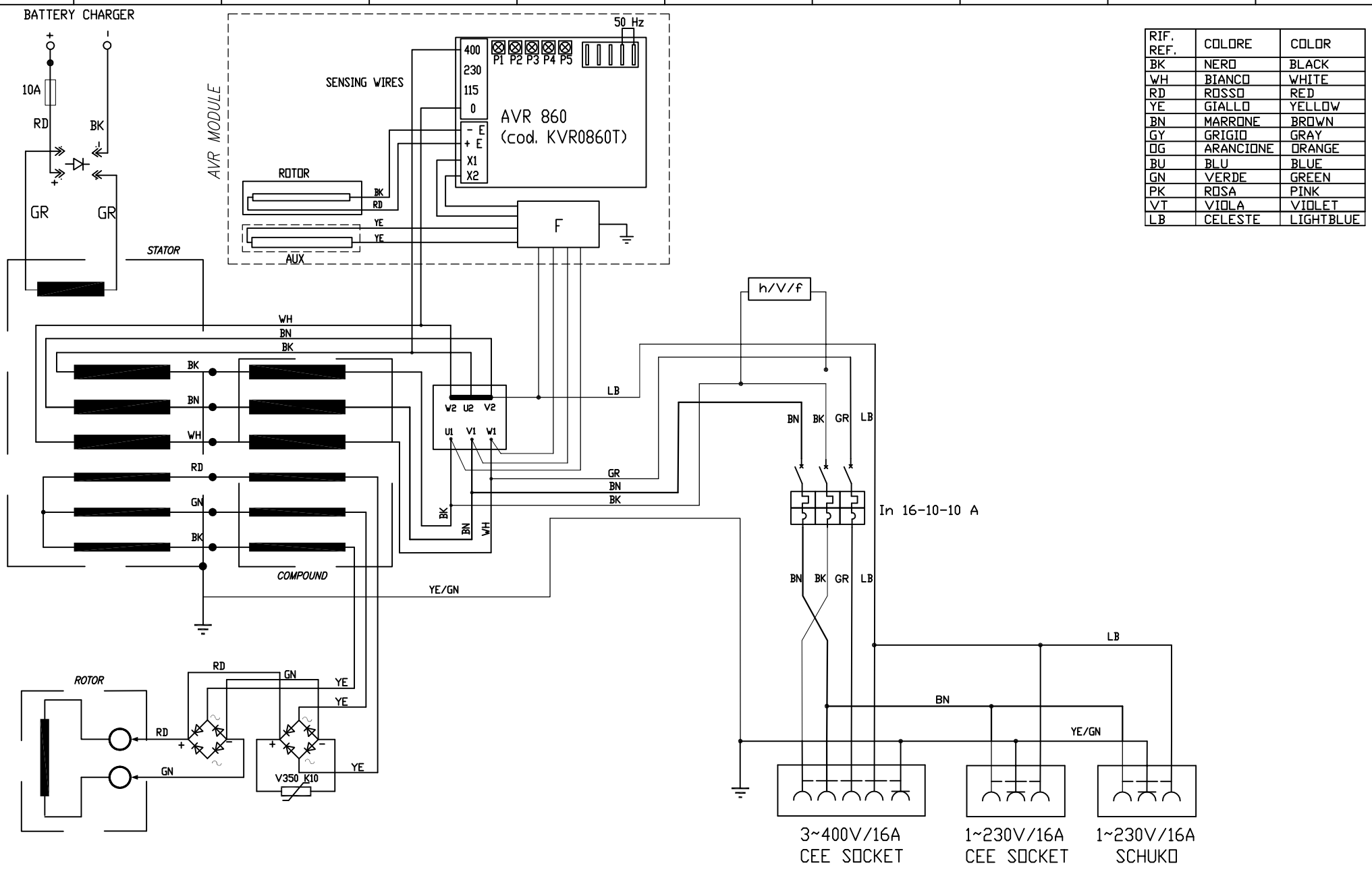
BREAKER 1			
TYPE	V	I	
S5000	230	20	
S8000	230	25	

**WIRING DIAGRAM FOR NEW S5000-S8000-SP8000
POWER CONNECTIONS SINGLE PHASE IPP**

GE0496

Date: 30/08/2013 Pag: 5
 Autor: L.Pratelli

Rev04	///	////	Rev08	///	////
Rev03	///	////	Rev07	///	////
Rev02	///	////	Rev06	///	////
Rev01	///	////	Rev05	///	////

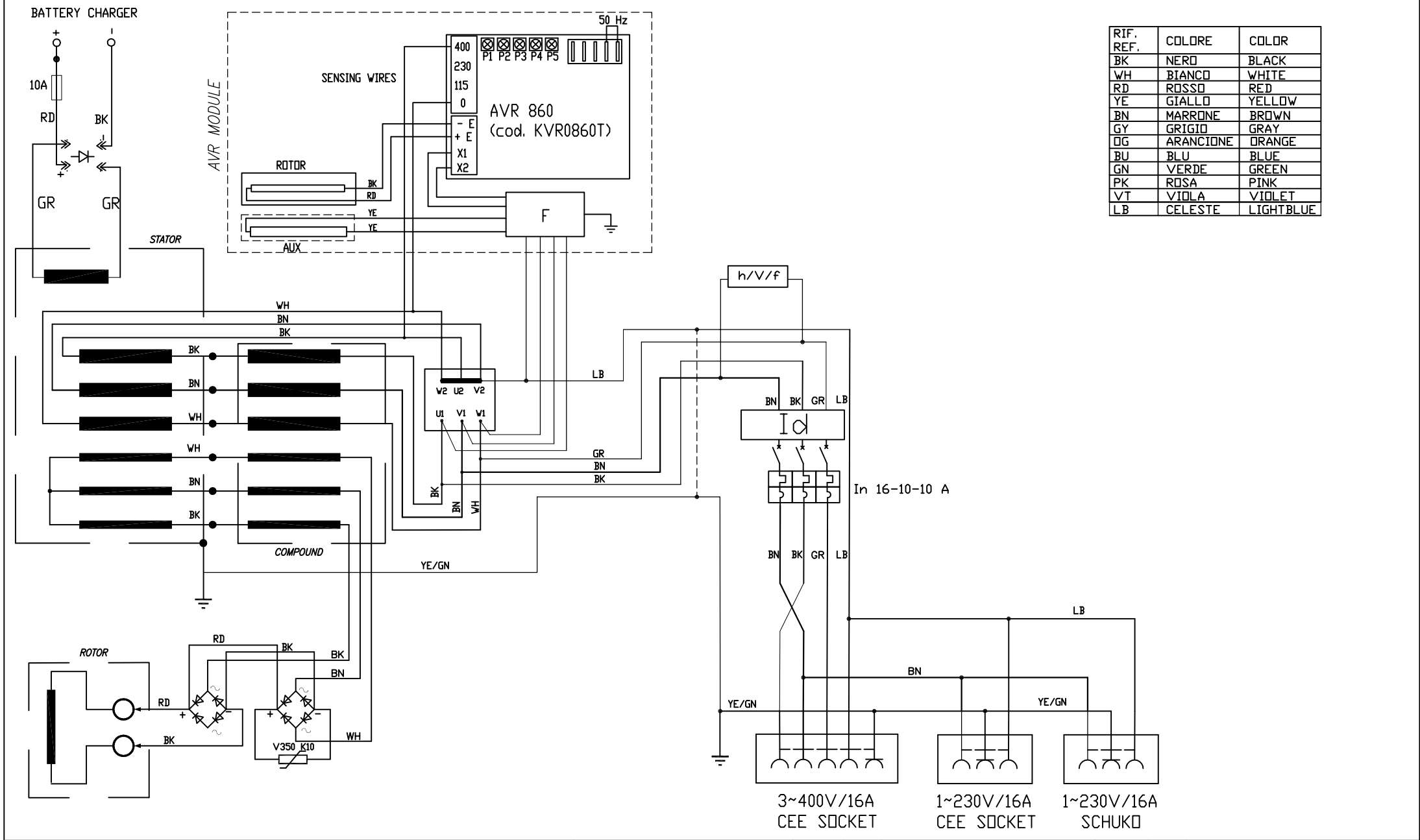


**WIRING DIAGRAM FOR NEW S5000-S8000-SP8000
POWER CONNECTION THREE PHASE STD**

GE0496

Date: 30/08/2013 Pag: 6
Autor: L.Pratelli

Rev04	///	///	Rev08	///	///
Rev03	///	///	Rev07	///	///
Rev02	///	///	Rev06	///	///
Rev01	///	///	Rev05	///	///



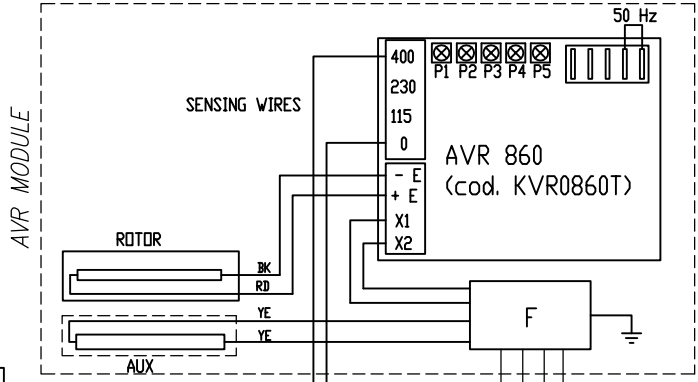
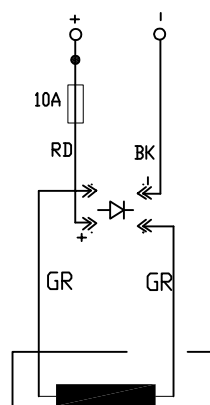
WIRING DIAGRAM FOR NEW S5000-S8000-SP8000
POWER CONNECTION S5000 S8000 THREE PHASE DPP

GE0496

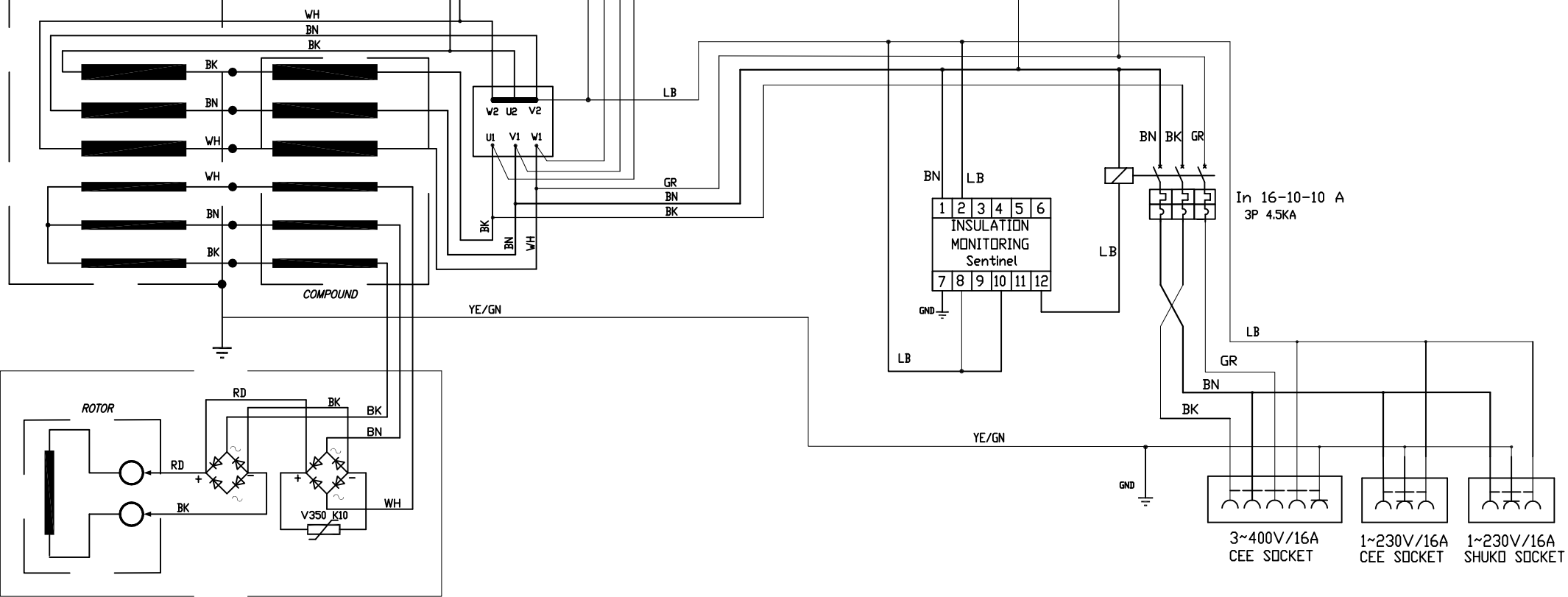
Date: 30/08/2013 Pag: 7
 Autor: L.Pratelli

Rev04	////	////	Rev08	////	////
Rev03	////	////	Rev07	////	////
Rev02	////	////	Rev06	////	////
Rev01	////	////	Rev05	////	////

BATTERY CHARGER



RIF. REF.	COLORE	COLOR
BK	NERO	BLACK
WH	BIANCO	WHITE
RD	ROSSO	RED
YE	GIALLO	YELLOW
BN	MARRONE	BROWN
GY	GRIGIO	GRAY
OG	ARANCIONE	ORANGE
BU	BLU	BLUE
GN	VERDE	GREEN
PK	ROSA	PINK
VT	VIOLA	VIOLET
LB	CELESTE	LIGHTBLUE



NO AVR

**WIRING DIAGRAM FOR NEW S5000-S8000-SP8000
POWER CONNECTION THREE PHASE IPP**

GE0496

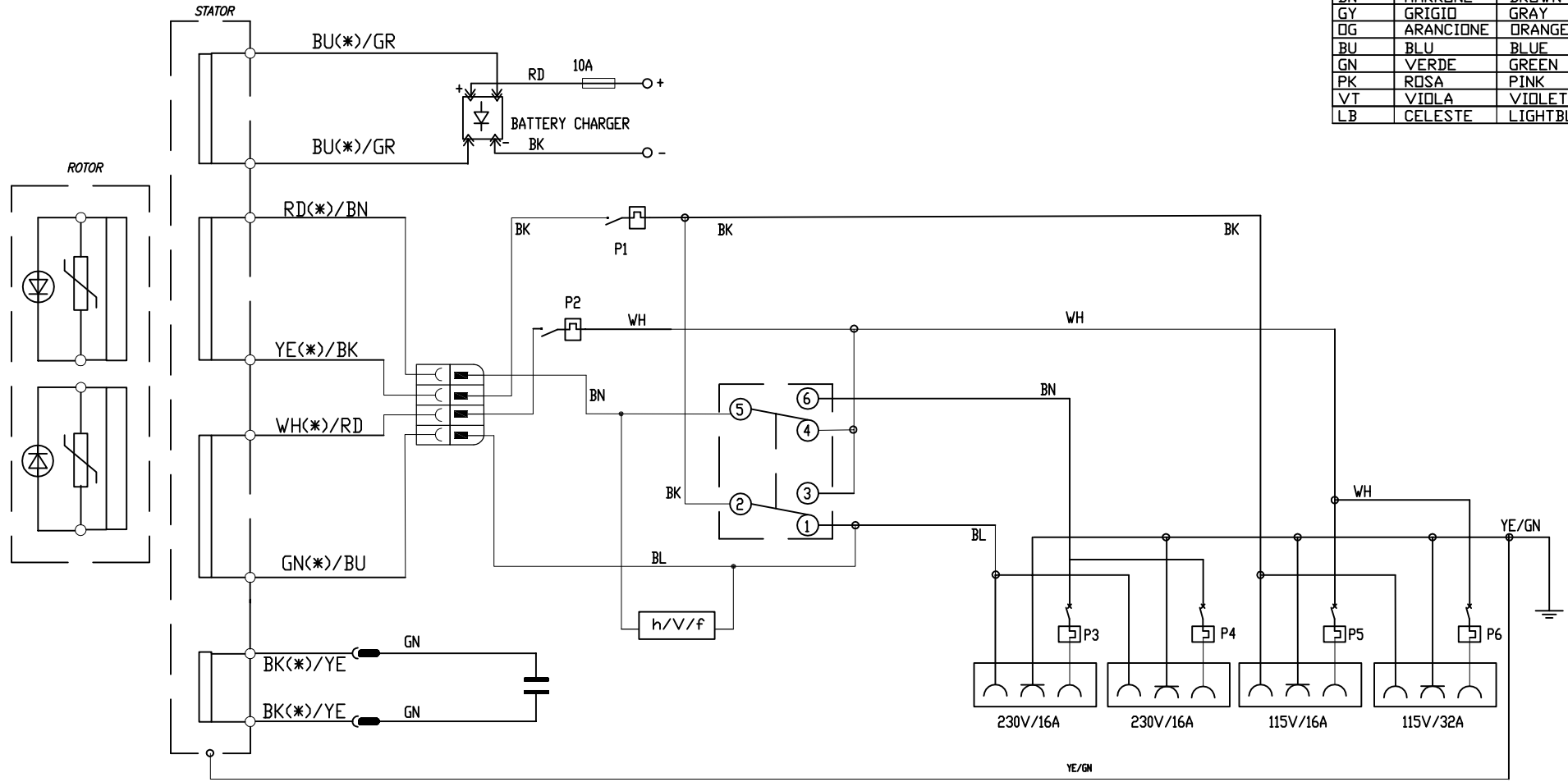
Date: 30/08/2013 Pag: 8
Autor: L.Pratelli

Rev04	///	////	Rev08	///	////
Rev03	///	////	Rev07	///	////
Rev02	///	////	Rev06	///	////
Rev01	///	////	Rev05	///	////

	P1	P2	P3	P4	P5	P6
S5000	16A	16A	X	X	16A	X
S8000	25A	25A	16A	16A	16A	30A

(*)=MECCALTE

RIF. REF.	COLORE	COLOR
BK	NERO	BLACK
WH	BIANCO	WHITE
RD	ROSSO	RED
YE	GIALLO	YELLOW
BN	MARRONE	BROWN
DG	ARANCIONE	ORANGE
BU	BLU	BLUE
GN	VERDE	GREEN
PK	ROSA	PINK
VT	VIOLA	VIOLET
LB	CELESTE	LIGHTBLUE

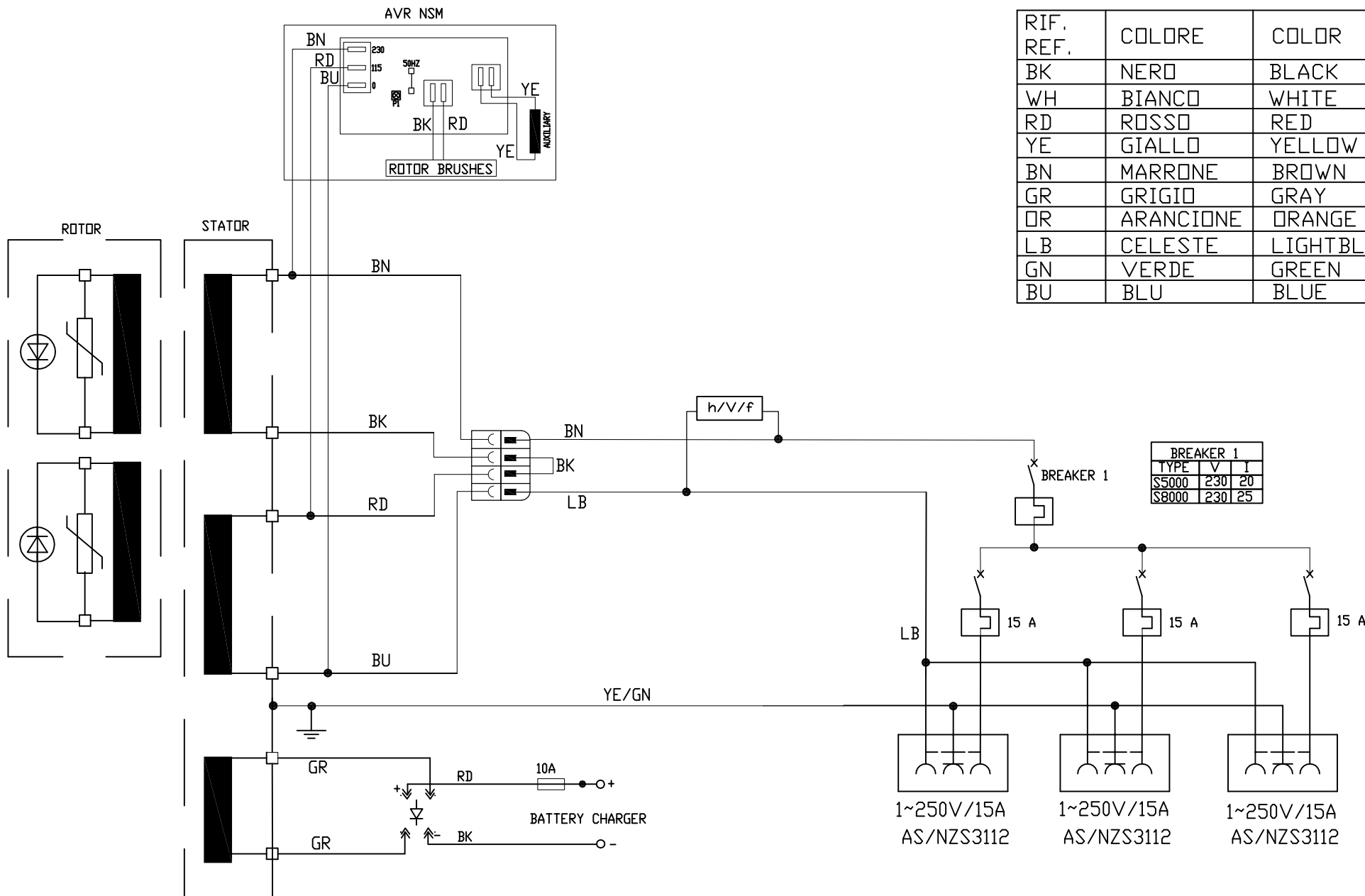


**WIRING DIAGRAM FOR NEW S5000-S8000-SP8000
POWER CONNECTIONS FOR UK VERSION**

GE0496

Date: 30/08/2013 Pag: 9
 Autor: L.Pratelli

Rev04	///	////	Rev08	///	////
Rev03	///	////	Rev07	///	////
Rev02	///	////	Rev06	///	////
Rev01	///	////	Rev05	///	////



RIF. REF.	COLORE	COLOR
BK	NERO	BLACK
WH	BIANCO	WHITE
RD	ROSSO	RED
YE	GIALLO	YELLOW
BN	MARRONE	BROWN
GR	GRIGIO	GRAY
OR	ARANCIONE	ORANGE
LB	CELESTE	LIGHTBLUE
GN	VERDE	GREEN
BU	BLU	BLUE

BREAKER 1		
TYPE	V	I
S5000	230	20
S8000	230	25

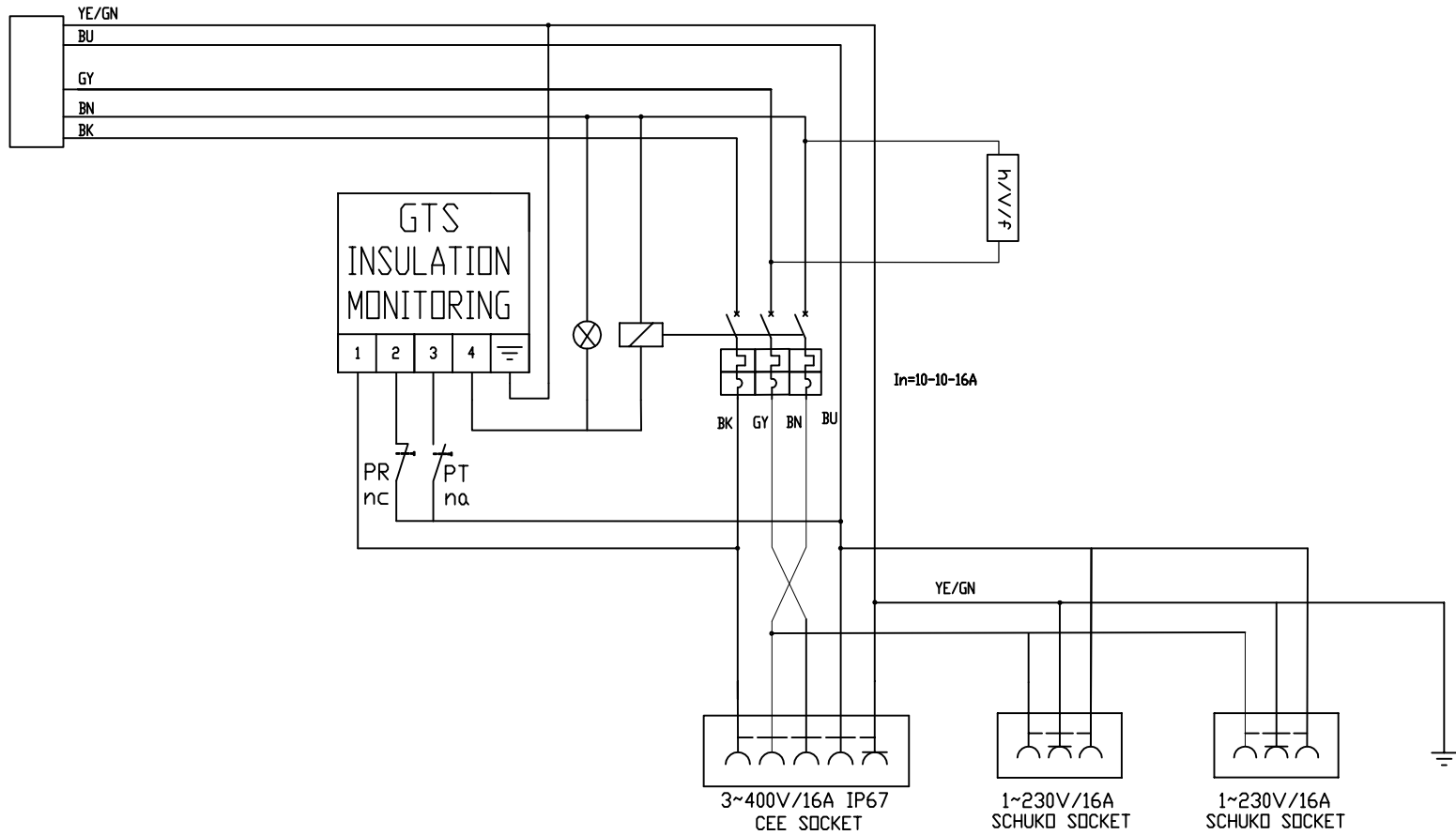
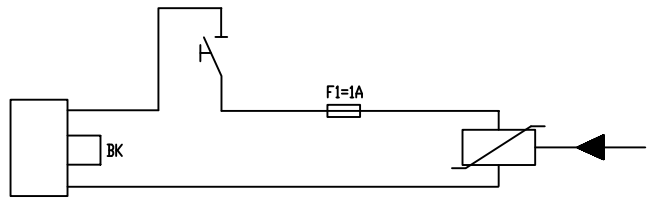
**WIRING DIAGRAM FOR NEW S5000-S8000-SP8000
POWER CONNECTIONS FOR AU VERSION**

GE0496

Date: 30/08/2013 Pag: 10
Autor: L.Pratelli

Rev04	///	////	Rev08	///	////
Rev03	///	////	Rev07	///	////
Rev02	///	////	Rev06	///	////
Rev01	///	////	Rev05	///	////

RIF. REF.	COLORE	COLOR
BK	NERO	BLACK
WH	BIANCO	WHITE
RD	ROSSO	RED
YE	GIALLO	YELLOW
BN	MARRONE	BROWN
GY	GRIGIO	GRAY
OG	ARANCIONE	ORANGE
BU	BLU	BLUE
GN	VERDE	GREEN
PK	ROSA	PINK
VT	VIOLA	VIOLET



**WIRING DIAGRAM FOR NEW S5000-S8000-SP8000
POWER CONNECTIONS FOR SP8000**

GE0496

Date: 30/08/2013 Pag: 11
Autor: L.Pratelli

Rev04	////	////	Rev08	////	////
Rev03	////	////	Rev07	////	////
Rev02	////	////	Rev06	////	////
Rev01	////	////	Rev05	////	////